

MICRO UNIVERSAL CHUCKS

Version 340

Shank form SK as per ISO 7388-1

SK 30 _____	280
-------------	-----

Shank form BT as per ISO 7388-2

BT 30 _____	280
-------------	-----

Shank form HSK

HSK-A 32/40/50/63 _____	281
-------------------------	-----

HSK-E 25/32/40/50 _____	282
-------------------------	-----

Cylindrical shank

Cylindrical shank _____	283
-------------------------	-----

Accessories

Accessories _____	287
-------------------	-----

Version 640

Shank form SK as per ISO 7388-1

SK 30 _____	284
-------------	-----

Shank form BT as per ISO 7388-2

BT 30 _____	284
-------------	-----

Shank form HSK

HSK-A 32/40/50 _____	285
----------------------	-----

HSK-E 25/32/40 _____	286
----------------------	-----

Cylindrical shank

Cylindrical shank _____	287
-------------------------	-----

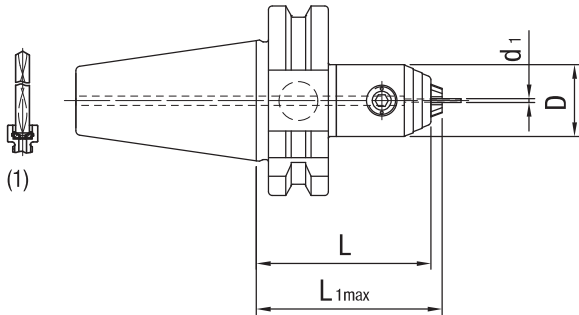
Accessories



MICRO Universal Chuck 340

ISO 7388-1, Form AD (prev. DIN 69871-AD)

ISO 7388-2 (JIS B6339) coolant supply as per ISO 7388-2, Form JD



SK 30



SK 30



SK 30



BT 30



BT 30



5 μm



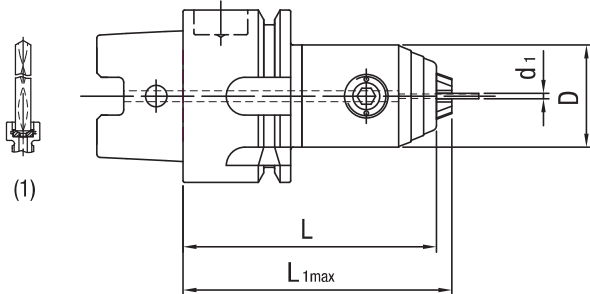
G 2.5

Nominal size Shank	WTE Norm	Clamping range	Dimensions			Weight [kg]	Order designation	Order No.
			d_1	D	L			
SK 30	WTE 03	0,2-3,4	19	45	48	0,41	15.236.30.03.Z	30439744
BT 30	WTE 03	0,2-3,4	19	48	51	0,47	22.236.30.03.Z	30439751

(1) WTE 03 sealing disk (ø 0,5 mm) included in scope of supply, for inner coolant drills ø 0,7-3,4 mm with smooth shank acc. to DIN 6535 Form HA.

MICRO Universal Chuck 340

DIN 69893-A

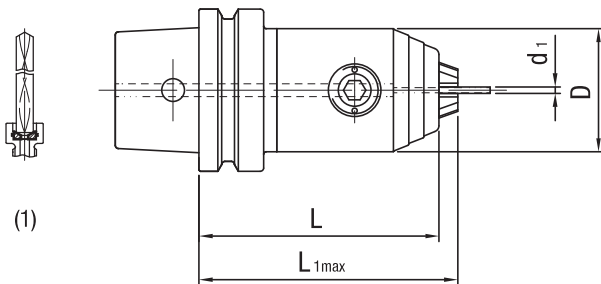


Nominal size HSK-A	WTE Norm	Clamping range	Dimensions			Weight [kg]	Order designation	Order No.
			d_1	D	L			
32	WTE 03	0,2-3,4	19	46	49	0,16	16.236.32.03.Z	30439728
40	WTE 03	0,2-3,4	19	46	49	0,24	16.236.40.03.Z	30439736
50	WTE 03	0,2-3,4	19	52	55	0,43	16.236.50.03.Z	30439739
63	WTE 03	0,2-3,4	19	52	55	0,7	16.236.63.03.Z	30633696

(1) WTE 03 sealing disk (ø 0,5 mm) included in scope of supply, for inner coolant drills ø 0,7-3,4 mm with smooth shank acc. to DIN 6535 Form HA.

MICRO Universal Chuck 340

DIN 69893-E

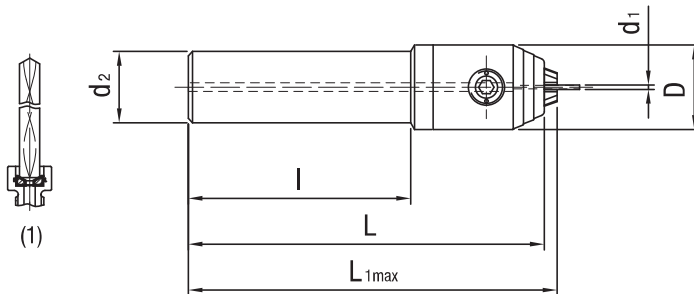


Nominal size HSK-E	WTE Norm	Clamping range	Dimensions			Weight [kg]	Order designation	Order No.
			d_1	D	L			
25	WTE 03	0,2-3,4	19	37	40	0,1	18.236.25.03.Z	30439663
32	WTE 03	0,2-3,4	19	46	49	0,17	18.236.32.03.Z	30439686
40	WTE 03	0,2-3,4	19	46	49	0,25	18.236.40.03.Z	30439722
50	WTE 03	0,2-3,4	19	52	55	0,44	18.236.50.03.Z	30564786

(1) WTE 03 sealing disk (ø 0,5 mm) included in scope of supply, for inner coolant drills ø 0,7-3,4 mm with smooth shank acc. to DIN 6535 Form HA.

MICRO Universal Chuck 340

With cylindrical shank, diameter 10 / 16 / 20 mm, for WTE Norm 03



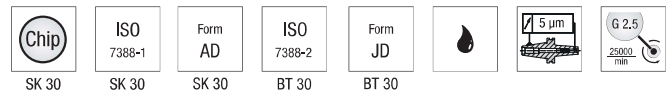
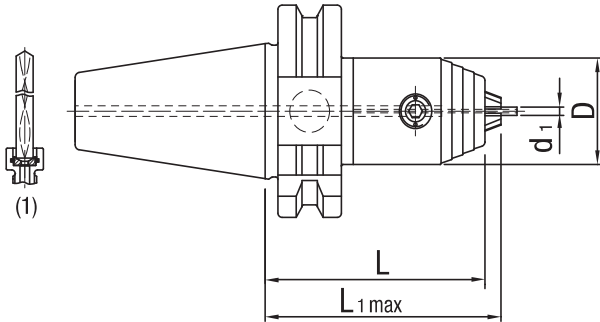
Nominal size Shank	WTE Norm	Clamp. range	Dimensions					Weight [kg]	Order designation	Order No.
			d ₁	D	d ₂	L	L ₁ max.			
10	WTE 03	0,2-3,4	19	10	70	73	40	0,08	40.257.10.03.Z	30500299
10	WTE 03	0,2-3,4	19	10	100	103	70	0,09	40.257.10.03.Z/100	30500301
10	WTE 03	0,2-3,4	19	10	160	163	130	0,13	40.257.10.03.Z/160	30500302
16	WTE 03	0,2-3,4	19	16	80	83	50	0,13	40.257.16.03.Z	30439821
16	WTE 03	0,2-3,4	19	16	100	103	70	0,16	40.257.16.03.Z/100	30439832
16	WTE 03	0,2-3,4	19	16	160	163	130	0,26	40.257.16.03.Z/160	30439837
20	WTE 03	0,2-3,4	19	20	80	83	52	0,17	40.257.20.03.Z	30439755
20	WTE 03	0,2-3,4	19	20	100	103	72	0,21	40.257.20.03.Z/100	30439758
20	WTE 03	0,2-3,4	19	20	160	163	132	0,36	40.257.20.03.Z/160	30439763

(1) WTE 03 sealing disk (ø 0,5 mm) included in scope of supply, for inner coolant drills ø 0,7-3,4 mm with smooth shank acc. to DIN 6535 Form HA.

MICRO Universal Chuck 640

ISO 7388-1, Form AD (prev. DIN 69871-AD)

ISO 7388-2 (JIS 6339) coolant supply as per ISO 7388-2, Form JD

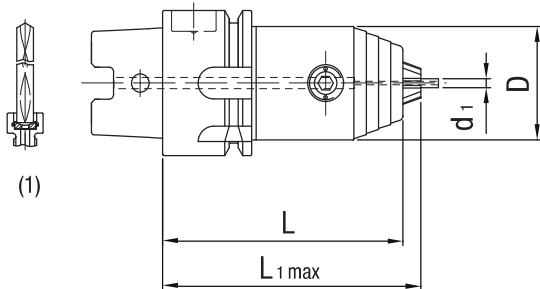


Nominal size Shank	WTE Norm	Clamping range	Dimensions			Weight [kg]	Order designation	Order No.
			d_1	D	L			
SK 30	WTE 06	0,2-6,4	25	55	59	0,8	15.266.30.06.Z	30564796
BT 30	WTE 06	0,2-6,4	25	58	62	0,9	22.266.30.06.Z	30564869

(1) WTE 06 sealing disk (ø 0,5 mm) included in scope of supply, for inner coolant drills ø 0,7-6,4 mm with smooth shank acc. to DIN 6535 Form HA.

MICRO Universal Chuck 640

DIN 69893-A

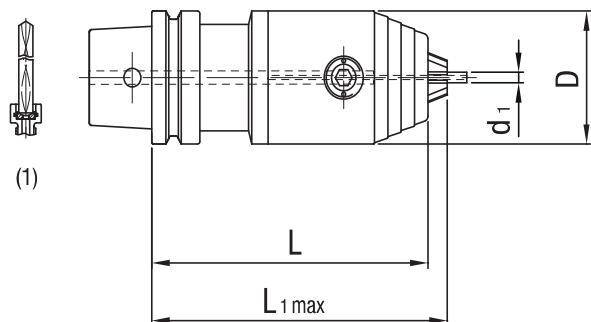


Nominal size HSK-A	WTE Norm	Clamping range	Dimensions			Weight [kg]	Order designation	Order No.
			d ₁	D	L			
32	WTE 06	0,2-6,4	25	54	58	0,3	16.266.32.06.Z	30564811
40	WTE 06	0,2-6,4	25	54	58	0,4	16.266.40.06.Z	30564819
50	WTE 06	0,2-6,4	25	61	65	0,4	16.266.50.06.Z	30564823

(1) WTE 06 sealing disk (ø 0,5 mm) included in scope of supply, for inner coolant drills ø 0,7-6,4 mm with smooth shank acc. to DIN 6535 Form HA.

MICRO Universal Chuck 640

DIN 69893-E

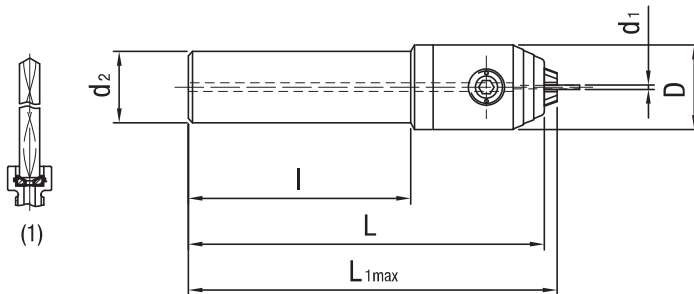


Nominal size HSK-E	WTE Norm	Clamping range	Dimensions			Weight [kg]	Order designation	Order No.
			d_1	D	L			
25	WTE 06	0,2-6,4	25	60	64	0,3	18.266.25.06.Z	30564833
32	WTE 06	0,2-6,4	25	54	58	0,3	18.266.32.06.Z	30564839
40	WTE 06	0,2-6,4	25	54	58	0,4	18.266.40.06.Z	30564844

(1) WTE 06 sealing disk (ø 0,5 mm) included in scope of supply, for inner coolant drills ø 0,7-6,4 mm with smooth shank acc. to DIN 6535 Form HA.

MICRO Universal Chuck 640

With cylindrical shank, diameter 16 / 20 mm, für WTE Norm 06

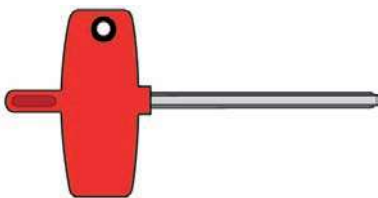


Nominal size Shank	WTE Norm	Clamp. range	Dimensions					Weight [kg]	Order designation	Order No.
			d ₁	D	d ₂	L	L ₁ max.			
16	WTE 06	0,2-6,4	25	16	100	104	60	0,3	40.257.16.06.Z	30564901
16	WTE 06	0,2-6,4	25	16	150	154	110	0,5	40.257.16.06.Z/150	30564903
16	WTE 06	0,2-6,4	25	16	200	204	160	0,7	40.257.16.06.Z/200	30564905
20	WTE 06	0,2-6,4	25	20	100	104	60	0,4	40.257.20.06.Z	30564907
20	WTE 06	0,2-6,4	25	20	150	154	110	0,6	40.257.20.06.Z/150	30565004
20	WTE 06	0,2-6,4	25	20	200	204	160	0,8	40.257.20.06.Z/200	30565008

(1) WTE 06 sealing disk (ø 0,5 mm) included in scope of supply, for inner coolant drills ø 0,7-6,4 mm with smooth shank acc. to DIN 6535 Form HA.

Hexagonal T-key

For pinion activation



sw	l	Weight [kg]	WTE Norm	Order designation	Order No.
2	60	0,01	WTE 03	89.206.08	30435838
2,5	60	0,01	WTE 06	89.206.10	10098110