

BHT 250-500-750

CROSS BARS

ROUGHING

FINISHING - TURNING

2 μ m

COUPLING
HT[®]

COUPLING
HT[®]

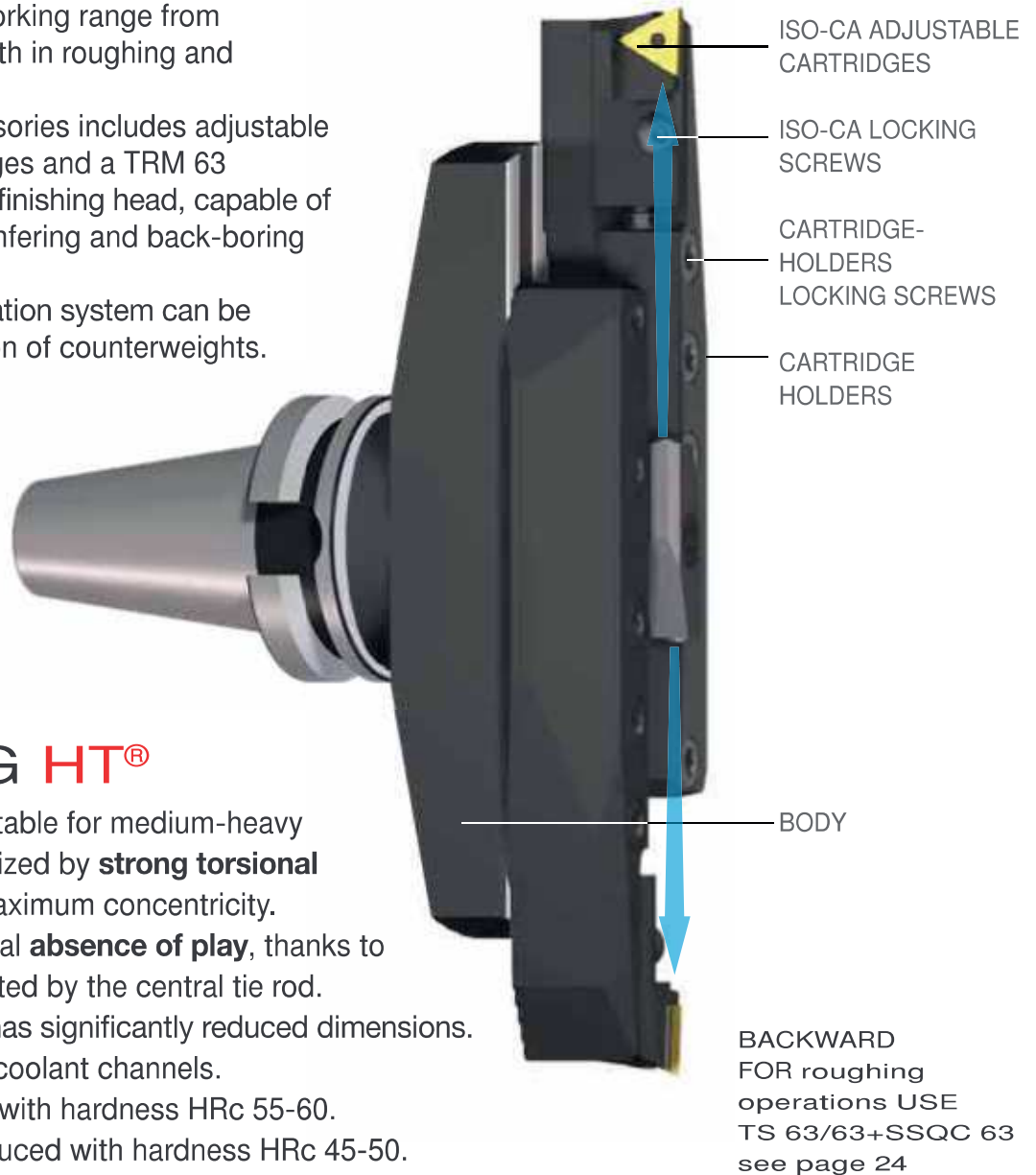
The new **BHT** boring system is characterized by the new **HT** standard base connection which ensures perfect coupling and high resistance to torsion.

The **BHT** bars cover a working range from Ø 250 to Ø 1000 mm, both in roughing and finishing.

The wide range of accessories includes adjustable ISO-CA roughing cartridges and a TRM 63 STANDARD micrometric finishing head, capable of carrying out boring, chamfering and back-boring operations.

The **FINISHING** configuration system can be balanced with the addition of counterweights.

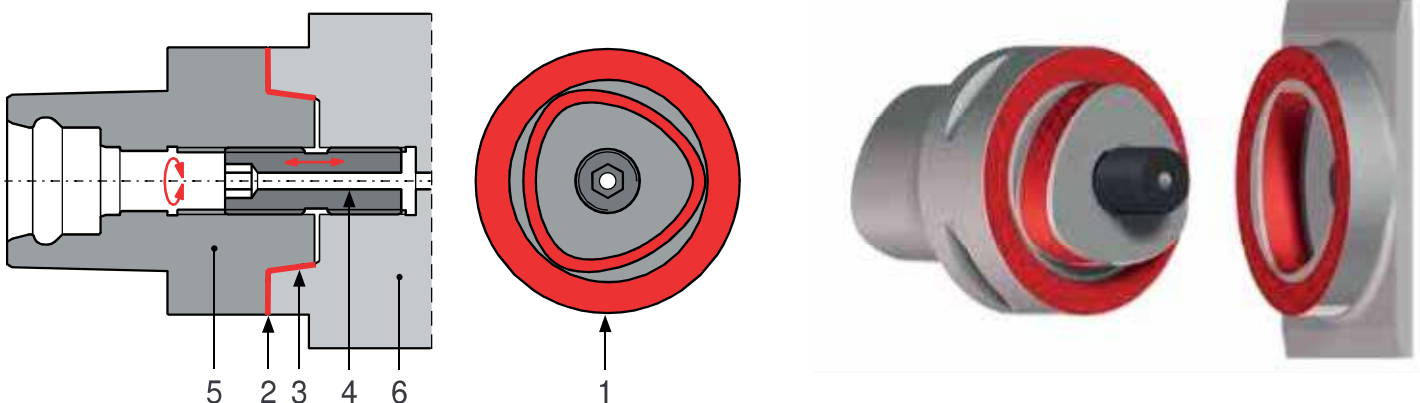
ROUGHING



COUPLING HT®

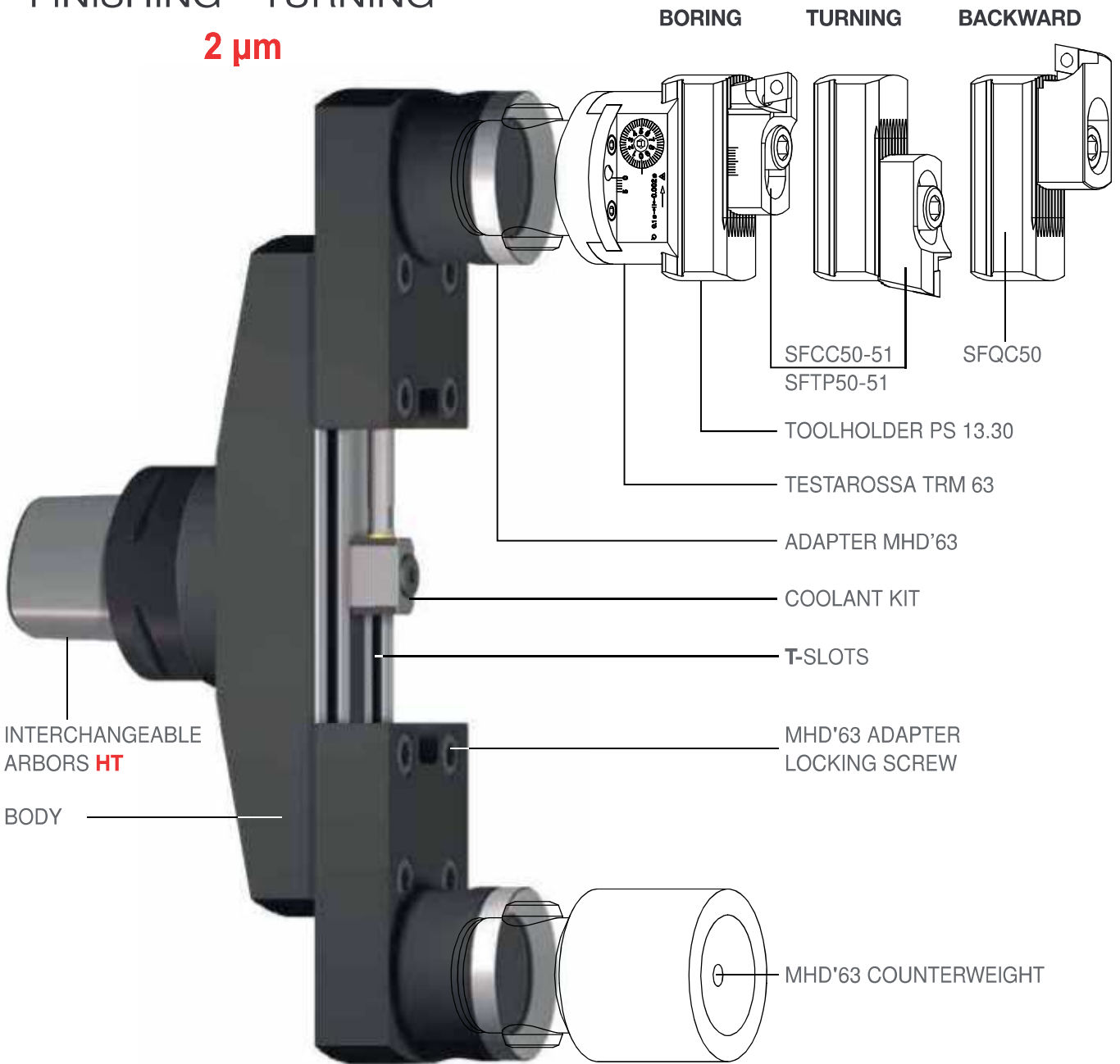
1. The HT system is Suitable for medium-heavy machining, characterized by **strong torsional components** with maximum concentricity.
2. The guarantee the total **absence of play**, thanks to the pulling force exerted by the central tie rod.
3. The new HT system has significantly reduced dimensions.
4. It facilitates the axial coolant channels.
5. The arbors are made with hardness HRc 55-60.
6. The tool body is produced with hardness HRc 45-50.

POLIGONAL SHANK HT COUPLING, CONTACT AND DRIVING SURFACE



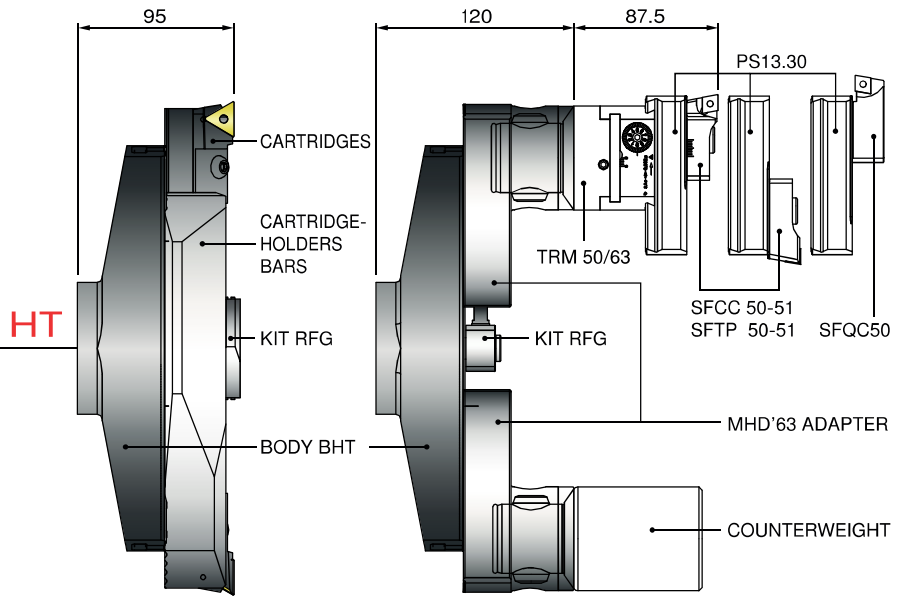
FINISHING - TURNING

2 μm



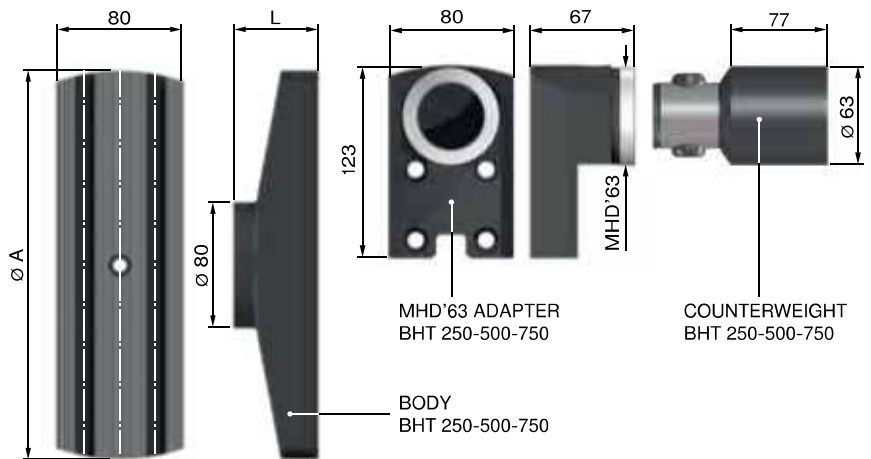
ARBORS **HT**
PATENTED

BHT 250 \varnothing 250 ~ 500

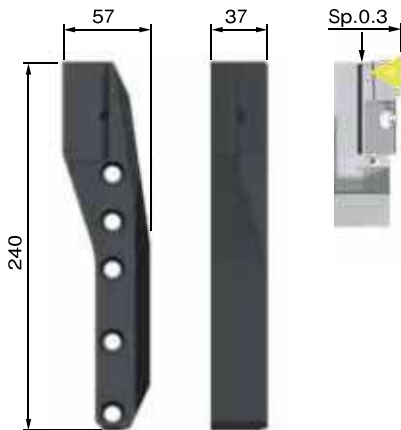


REF.	CODE	kg
DIN 69871-AD50-HT8.36.5	41HT08025000	3.4
MAS403BT-AD50-HT8.38.5	41HT08035000	3.7
PSC 80-HT8.30	41HT08018000	2
HSK 100-HT8.76.5	41HT08041000	4
MHD' 80-HT8	655108000080	2

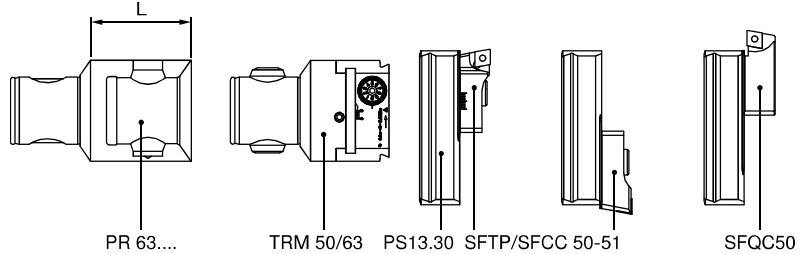
COMPONENTS AND ACCESSORIES



ISO-CA CARTRIDGE HOLDERS



ISO-CA CARTRIDGE HOLDERS BHT 250-500-750		
CODE	382090024000	kg 2.5



CARTRIDGES 20CA ISO 5611

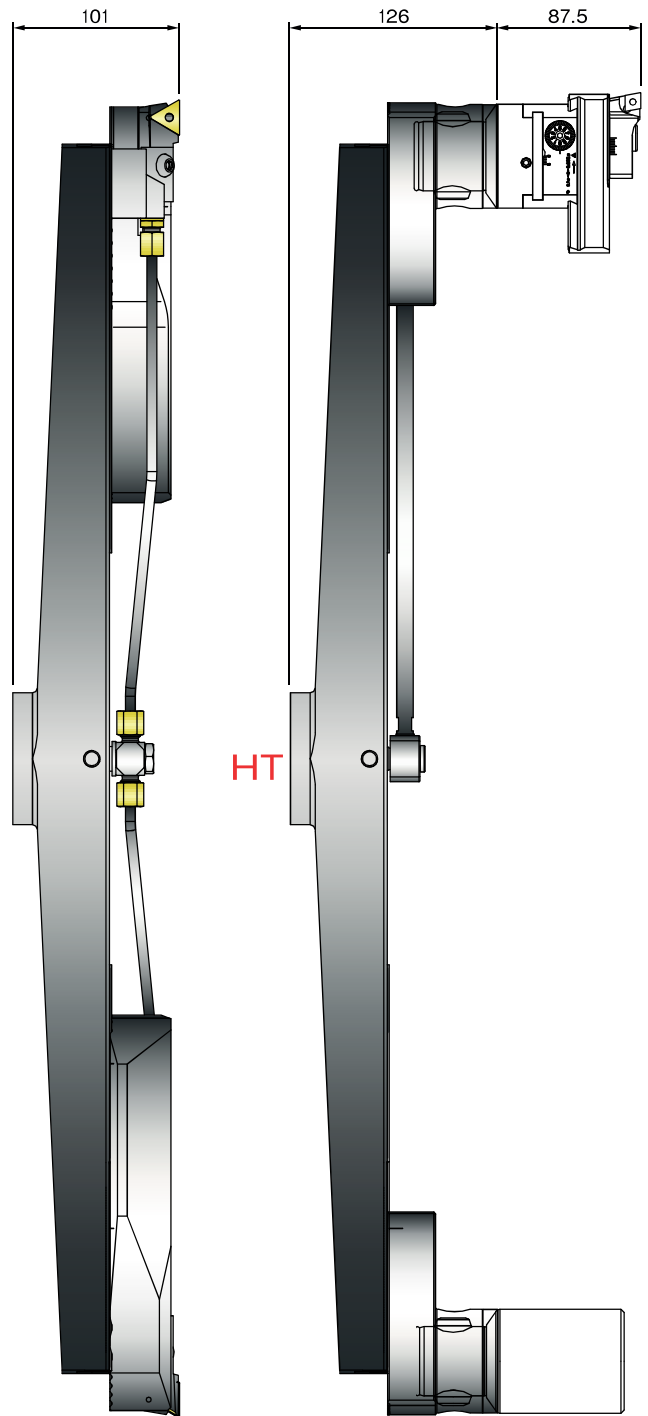
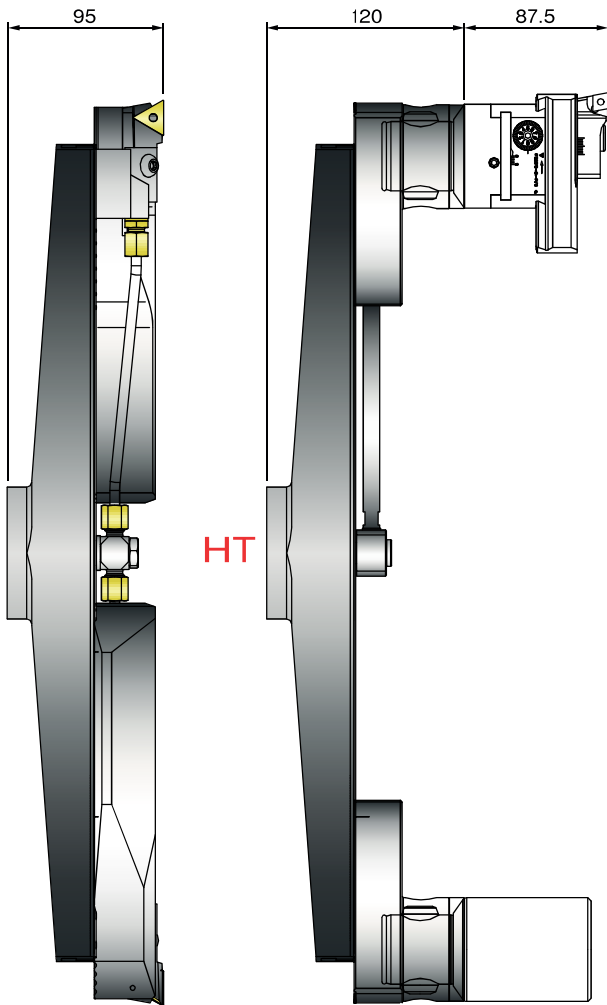
PTGNL20CA-22	SCGCL20CA-12
CODE 483010201001	CODE 483010201003
TNM2204	CCM1204
PCGNL20CA-16	PSRNL20CA-15
CODE 483010201002	CODE 483010201004
CNM1606	SNM1506

REF.	CODE	\varnothing	A	L	kg
BODY BHT 250	435508882460	250 ~ 500	246	54	4.2
BODY BHT 500	435508882960	500 ~ 750	496	54	7.8
BODY BHT 750	435508887460	750 ~ 1000	746	60	7.8
MHD'63 ADAPTER BHT 250-500-750	382090006301				2.5
COUNTERWEIGHT BHT 250-500-750	392011006300				2.4
TRM 50/63	BHT 250-500-750	455005000631			1.1
PS 13.30	BHT 250-500-750	433030261400			0.7
PR 63.63	BHT 250-500-750	656906300630		63	1.4
PR 63.100	BHT 250-500-750	656906301000		100	2.2
PR 63.125	BHT 250-500-750	656906301250		125	2.9

BHT suitable for bigger diameters ON REQUEST

BHT 500 Ø 500 ~ 750

BHT 750 Ø 750 ~ 1000



COOLANT KIT

ROUGHING

FINISHING



KIT RFG BHT 250 SG
CODE 382090025000

KIT RFG BHT 250 FN
CODE 382090025001



KIT RFG BHT 500 SG
CODE 382090050003

KIT RFG BHT 500 FN
CODE 382090050004



KIT RFG BHT 750 SG
CODE 382090075000

KIT RFG BHT 750 FN
CODE 382090075001

BIT-HOLDERS SF..



SFTP50
SFTP51



SFCC50
SFCC51



SFQC50

REF.	CODE	△	⊗	♻️	TORX	kg
SFTP50	470500550001	TPGX 1103..		CS300890T	08	0.08
SFTP51	470500550003	TCMT 16T3..	TS 4		15	0.09
SFCC50	470500550002	CCGT 09T3..	TS 4		15	0.08
SFCC51	470500550004	CCMT 1204..	TS 5		25	0.09
SFQC 50	470500550062	CCMT 09T3..	TS 4		15	0.1