





NC STANDARD DRILL CHUCKS

Shank form SK as per ISO 7388-1

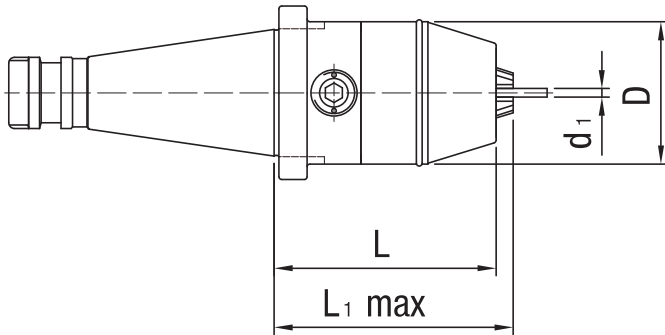
SK 40 272-273

Shank form BT as per ISO 7388-2

BT 40 274

Spare parts & accessories

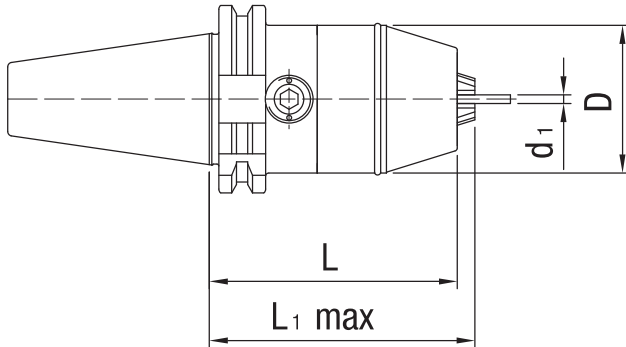
NC Standard Drill Chuck DIN 2080, Form A



Nominal size SK/ISO	WTE Norm	Clamping range	Dimensions			Weight [kg]	Order designation	Order No.
			d_1	D	L			
40	WTE 13	0,5 - 13	50	78	84	1,5	10.297.40.13	30342426
40	WTE 16	2,5 - 16	57	78	86	1,7	10.297.40.16	30342427

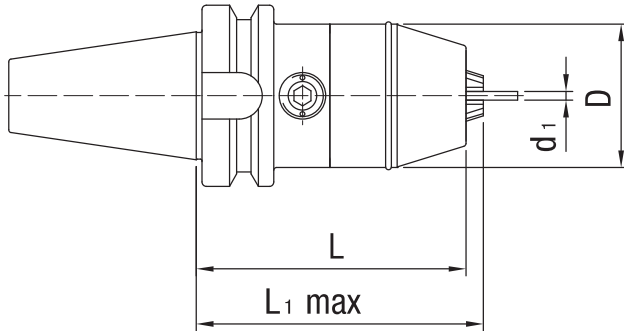
NC Standard Drill Chuck ISO 7388-1, Form A

(prev. DIN 69871-A)



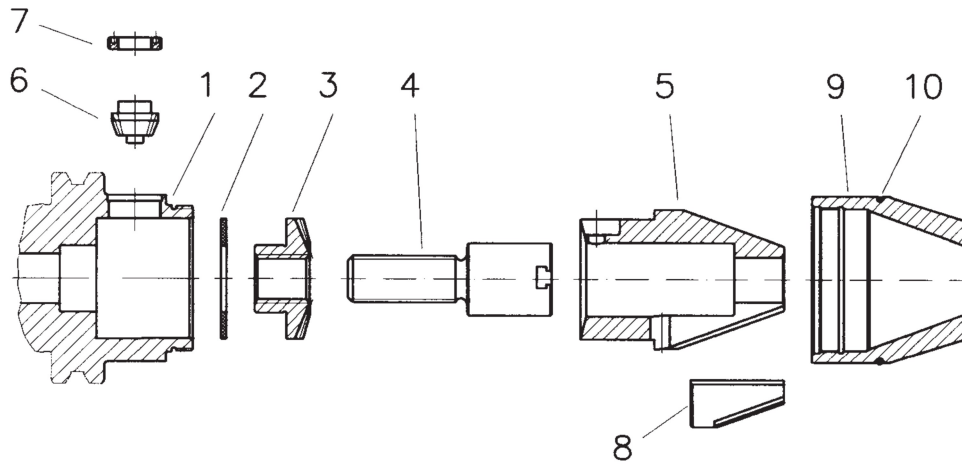
Nominal size SK/ISO	WTE Norm	Clamping range	Dimensions			Weight [kg]	Order designation	Order No.
			d_1	D	L			
40	WTE 13	0,5 - 13	50	84	90	1,5	11.297.40.13	30342428
40	WTE 16	2,5 - 16	57	84	92	1,7	11.297.40.16	30342429

NC Standard Drill Chuck ISO 7388-2 (JIS 6339)



Nominal size BT	WTE Norm	Clamping range	Dimensions			Weight [kg]	Order designation	Order No.
			d_1	D	L			
40	WTE 13	0,5 - 13	50	94	100	1,8	20.297.40.13	30342430
40	WTE 16	2,5 - 16	57	94	102	2	20.297.40.16	30342431

Spare parts for NC Standard Drill Chuck



For design WTE 13

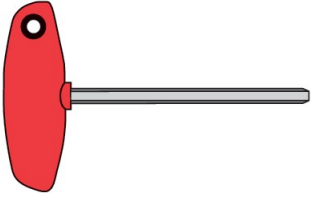
No.	Description	Order designation	Order No.
2	Stop disc	89.213.10	30266155
3	Bevel gear	89.213.06	30266195
4	Spindle	89.213.103	30336465
5	Expansion cone	89.213.101	30336463
6	Pinion	89.213.102	30336464
7	Pinion screw	89.213.08	30266193
8	Clamping jaws (1 set = 3 pieces)	89.213.03	30266139
9	Sleeve	89.213.100	30336462
10	O-ring, red	89.213.39	30346068

For design WTE 16

No.	Description	Order designation	Order No.
2	Stop disc	89.213.10	30266155
3	Bevel gear	89.213.06	30266195
4	Spindle	89.216.103	30336485
5	Expansion cone	89.216.101	30336484
6	Pinion	89.213.102	30336464
7	Pinion screw	89.213.08	30266193
8	Clamping jaws (1 set = 3 pieces)	89.213.03	30266139
9	Sleeve	89.216.100	30336483
10	O-ring, red	89.216.39	30263595

Hexagonal T-key

For pinion activation



sw	l	Weight [kg]	Order designation	Order No.
6	100	0,03	89.206.06	10006237