



HÖD[®]
INDUSTRIAL
SOLUTIONS

Micro 3D

Coordinate Measuring Machines



MICRO 3D
SPECIFICATIONS
Release 2017-03



microservice



Cruise Speed	mm/s	Joystick (axes)	0 to 100
		CNC (vector)	max. 500 to 800 depending on size
Acceleration	mm/s ²	CNC (vector)	max. 1000
Measuring speed	mm/s		max. 8
Scanning speed	mm/s		max. 200 (REVO)

SCANNING PROBE HEADS: REVO, SP80. INDEXING HEADS WITH SP25, EAGLE.scan™

				5/6/4, 6/8/5 to 6/10/5	8/10/6 to 8/15/6	10/10/8 to 10/25/8	12/15/10 to 12/30/10
Volumetric Length meas. Error, MPE as per ISO 10360-2:2009 ¹⁾	E ₀ /E ₁₅₀	μm	T1 (18 °C to 22 °C)	2.2 + L/350	2.3 + L/350	2.6 + L/350	2.8 + L/300
	E ₀ /E ₁₅₀	μm	T2 (16 °C to 26 °C)	2.4 + L/250	2.5 + L/250	2.8 + L/250	3.0 + L/200
Repeatability range, MPL as per ISO 10360-2:2009	R ₀	μm		2.0	2.1	2.4	2.6
Single stylus form error, MPE as per ISO 10360-5:2010	PFTU	μm		2.2	2.3	2.6	2.8
Single Stylus form error, scanning. MPE as per ISO 10360-4:2000 ³⁾	THP	μm		4.0	4.1	4.3	4.5
	MPT(T)	s		50	50	50	70
Single Stylus form error, scanning. MPE as per ISO 10360-4:2000 ³⁾	THN	μm		4.0	4.1	4.3	4.5
	MPT(T)	s		70	70	70	80
Form measurement error	RONt (MZCI) ²⁾	μm		2.3	2.4	2.6	2.9

INDEXING HEADS WITH TP200 STRAIN-GAUGE TRIGGER PROBE

Volumetric Length meas. Error, MPE as per ISO 10360-2:2009 ¹⁾	E ₀ /E ₁₅₀	μm	T1 (18 °C to 22 °C)	2.3 + L/350	2.5 + L/350	2.8 + L/350	2.9 + L/300
	E ₀ /E ₁₅₀	μm	T2 (16 °C to 26 °C)	2.5 + L/250	2.7 + L/250	3.0 + L/250	3.0 + L/200
Repeatability range, MPL as per ISO 10360-2:2009	R ₀	μm	-	2.2	2.4	2.6	2.8
Single stylus form error, MPE as per ISO 10360-5:2010	PFTU	μm	-	2.3	2.5	2.8	2.9

INDEXING HEADS WITH EAGLE.p touch™ TRIGGER PROBE

Volumetric Length meas. Error, MPE as per ISO 10360-2:2009 ¹⁾	E ₀ /E ₁₅₀	μm	T1 (18 °C to 22 °C)	2.5 + L/350	2.7 + L/350	2.8 + L/350	2.9 + L/300
	E ₀ /E ₁₅₀	μm	T2 (16 °C to 26 °C)	2.7 + L/250	2.8 + L/250	2.9 + L/250	3.1 + L/200
Repeatability range, MPL as per ISO 10360-2:2009	R ₀	μm	-	2.4	2.5	2.6	2.9
Single stylus form error, MPE as per ISO 10360-5:2010	PFTU	μm	-	2.5	2.7	2.8	2.9

CONDITIONS TO GUARANTEE ABOVE SPECIFIED ACCURACIES

	TEMPERATURES		TOOLS / STYLUS CONFIGURATIONS	
	Ambient T1	Ambient T2	SP25 / EAGLE.scan™	SM25-1, stylus Ø4 x 21 mm
Measuring Reference Temperature	18 °C to 22 °C	16 °C to 26 °C	SP80	Stylus Ø5 x 50 mm
Maximum air temperature variations	1.0 °C/h - 2.0 °C/24h	1.0 °C/h - 5.0 °C/24h	TP200	Standard Force Module and stylus Ø4 x 10 mm
Maximum spatial gradient	0.8 °C / m	1.0 °C / m	EAGLE.p touch™	Standard Force Module and stylus Ø4 x 10 mm

1) Measuring length L in mm.

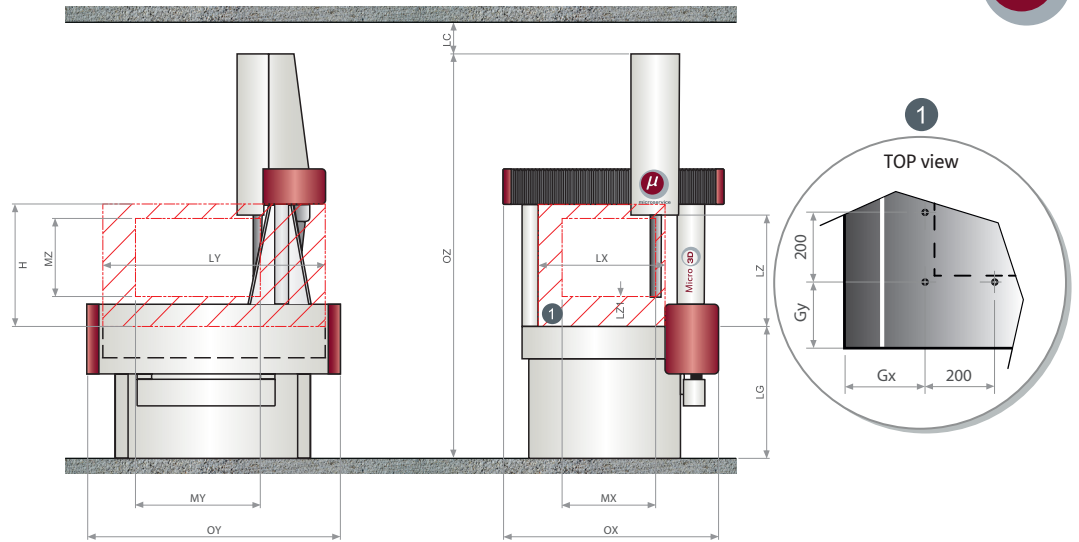
2) RONt test available on SP80 probe head, with Stylus Ø5 x 50 mm, 50 mm ring gauge, speed 5 mm/s, located in the middle of the measuring Volume.

3) For MPE(THP/THN) and MPT(T): sphere is placed in the middle of the measuring volume.

OVERALL DIMENSIONS

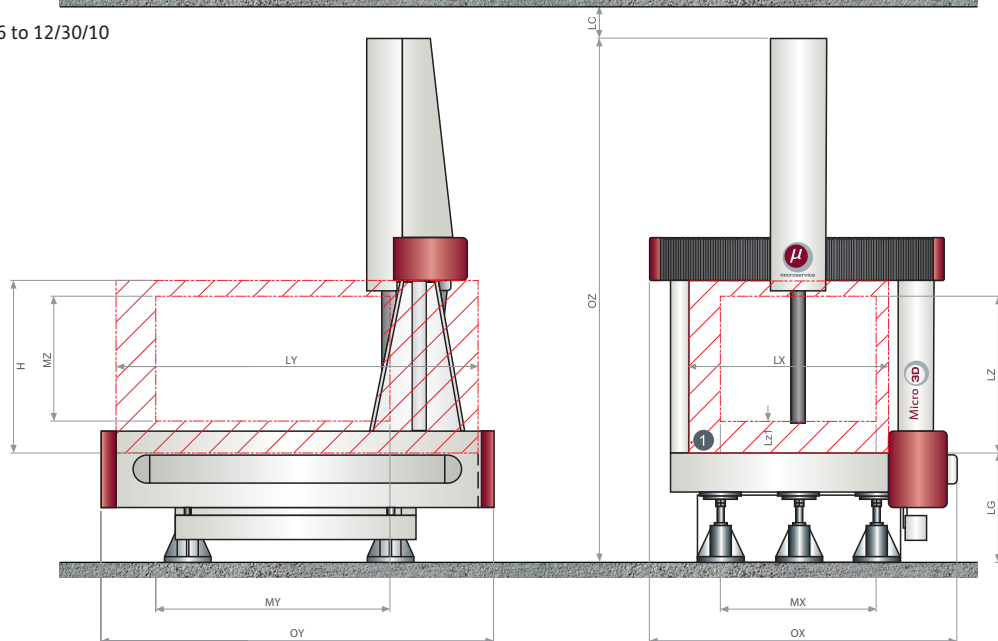


From 5/6/4 to 6/10/5

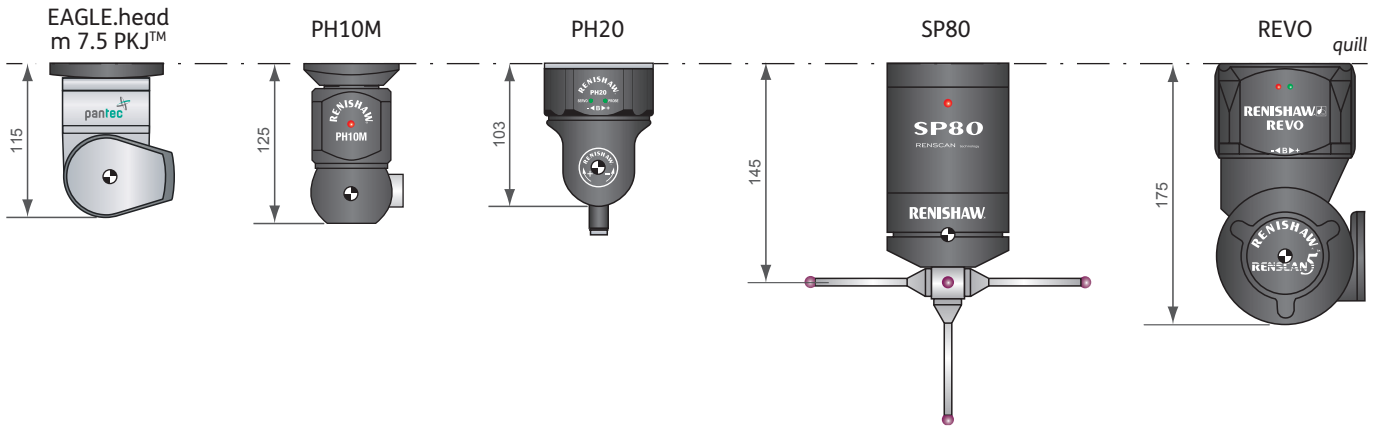


Micro 3D Sizes	Measuring Range ²⁾			Overall Dimensions			Working Range				Table Height	Thd. Pattern Datum		Assy Clearance	CMM Weight	Workpiece Max. Weight
	X Axis	Y Axis	Z Axis	Width	Length	Height	Width	Length	Height	Height		Gx	Gy	LC	MW	WW
	MX	MY	MZ	OX	OY	OZ	LX	LY	LZ	H	LG					
5 / 6 / 4	500	600	400	1285	1420	2535	720	1220	596	684	885	130	190	≥100	1125	500
6 / 8 / 5	600	800	500	1380	1620	2700	818	1420	696	784	850	230	190	≥100	1465	500
6 / 10 / 5	600	1000	500	1380	1820	2700	818	1620	696	784	850	230	190	≥100	1550	500
8 / 10 / 6	800	1000	600	1600	2030	2750	991	1770	796	884	700	222	190	≥100	2300	800
8 / 15 / 6	800	1500	600	1600	2530	2750	991	2270	796	884	700	222	235	≥100	2800	800
10 / 10 / 8	1000	1000	800	1970	2020	3360	1280	1820	1039	1107	700	260	210	≥100	3050	2500
10 / 15 / 8	1000	1500	800	1970	2520	3360	1280	2320	1039	1107	700	260	260	≥100	3800	2500
10 / 20 / 8	1000	2000	800	1970	3020	3360	1280	2820	1039	1107	700	260	310	≥100	4400	2500
10 / 25 / 8	1000	2500	800	1970	3520	3360	1280	3320	1039	1107	700	260	310	≥100	4900	2500
10 / 30 / 8	1000	3000	800	1970	4020	3360	1277	3820	1042	1107	600	260	310	≥100	5550	2500
12 / 15 / 10	1200	1500	1000	2170	2520	3760	1480	2320	1239	1307	700	260	260	≥100	4200	2500
12 / 20 / 10	1200	2000	1000	2170	3020	3760	1480	2820	1239	1307	700	260	240	≥100	4900	2500
12 / 25 / 10	1200	2500	1000	2170	3520	3760	1480	3320	1239	1307	700	260	260	≥100	5690	2500
12 / 30 / 10	1200	3000	1000	2170	4020	3760	1477	3820	1242	1307	600	260	260	≥100	7250	2500

From 8/10/6 to 12/30/10



1) Given dimensions and weights are approximate values, subject to change, due to the continuous improvement of the product. Actual appearance of specific sizes may be different from above pictures.
 2) Measuring range is given without probe, at the quill base. Please refer to specific probeheads / probe system to evaluate the actual range.



TECHNICAL DATA

Mechanical frame	X, Y, Z all in Granite
Sliding system	Air bearings for all axes
Length measuring system	Steel scale, 0.1 µm resolution
Controller	Pantec EAGLE™ series / Renishaw® UCC series
	Protection degree: IP40 (IP54 upon request)
	Cooling system: Fan
Surface Plate (part locking)	Granite, threaded inserts M8x1.25: flatness according to DIN 876/3
Damping system	Passive elastometer damping (optional active pneumatic damping)
Options	Automatic styli changer, Automatic multisensor temperature compensation for T2 (16 °C to 26 °C), on top rotary table, manual and automated part loading system.

MAINS AND COMPRESSED AIR SUPPLY REQUIREMENTS

Mains	115/230 V 10 % - 50 - 60 Hz; 1,N,PE	5-6-4	6-x-5	8-x-6	10-x-8 / 12-x-10	
Power requirement	1.5 kVA	Pressure (MPa)	≥ 0.6	≥ 0.6	≥ 0.6	≥ 0.7
Power consumption	0.6 kVA	Consumption (Nl/min)	≤ 40	≤ 60	≤ 90	≤ 120

OPERATING CONDITIONS

Ambient Humidity	40 % to 70 % UR (non condensing)
Ambient temperature	15 °C to 35 °C
Mains Supply	1/N/PE 115/230 V~ ± 10 %; 50 / 60 Hz (± 4 %) Max. power consumption 2.5 kVA
Compressed air Supply	min. 0.6 MPa, max. 1.0 MPa, pre-cleaned, Class 4 according to ISO 8573/1

SAFETY REGULATIONS

Micro 3D complies with EC machine directive 2006/42/EC and EMC directive 2004/108/EEC



HÓD[®]
INDUSTRIAL SOLUTIONS

www.hod-industrial.hu

HÓD Industrial Solutions Kft.

tel: +36 23 920 940, +36 23 920 941
fax: +36 23 920 945
e-mail: info@hod-industrial.hu



Microservice Srl
Via dei Ronchi, 45/L
10091 Alpignano (TO) / Italy
Phone: +39 011 9682524
Fax: +39 011 9685975
Email: sales@micro3d.it
Web: www.micro3d.it

EN_Micro3D_17_Q1. Printed in Italy. MS-III/2017

Due to continuous improvement and product development, listed specifications are subject to change in design and scope of delivery.

Printed on recycled paper. Concept: Masterprint
Text and design: Microservice.