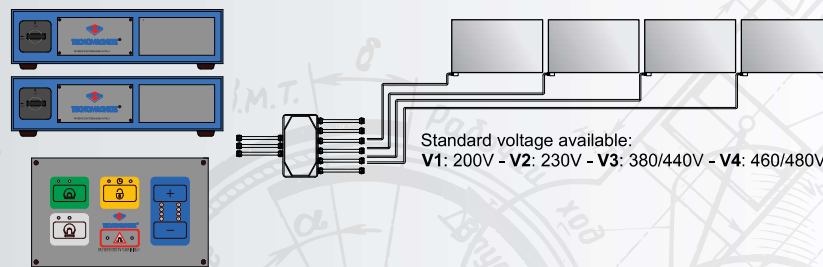


GRIND Tec

Typical installation



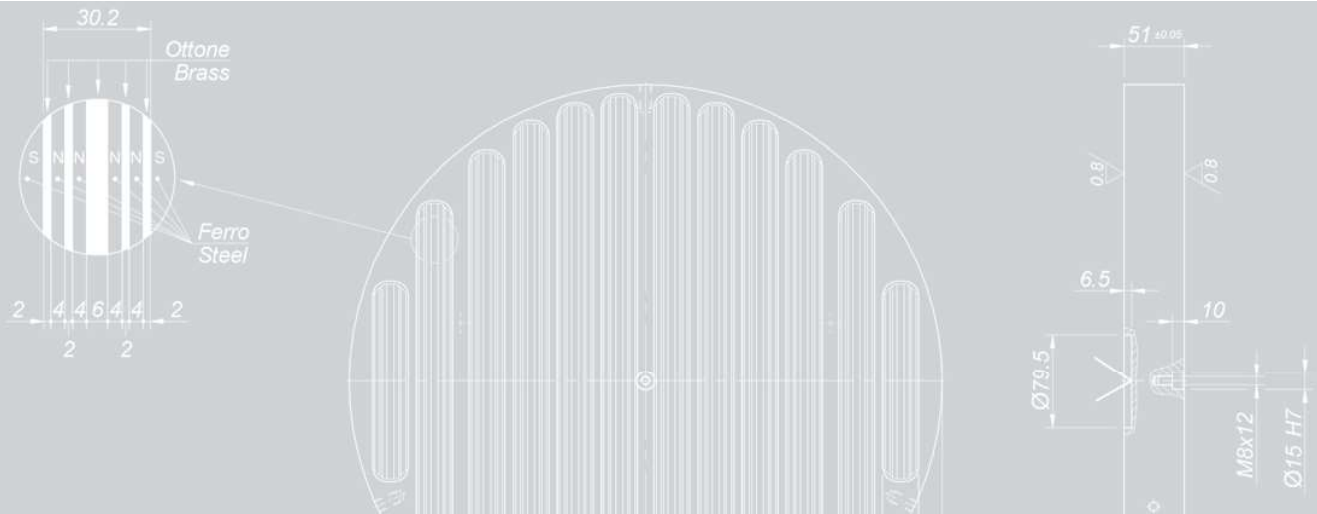
The permanent-electro magnetic circuit allows you to activate and deactivate the magnetic clamping force in a fraction of second with the simple press of a button or from the PLC of the machine.

MODULAR CONTROL UNIT

The ST200 control units can be serialized for the activation of multiple plates.

Main technical features:

- NUFLUX system for perfect demagnetization
- UCS Saturation Control Unit
- Safety connector for machine interface
- TC remote control for MAG/DEMAG cycles
- Power adjustment on 8 levels
- Hard wired watertight cable connection



GRINDTEC GT circular polarity. *The solution for medium/large pieces.*

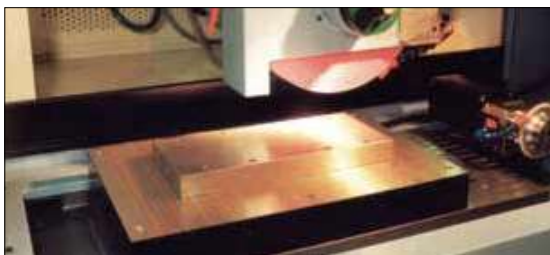
The innovative TEC monolithic construction technique makes the "Full Metal" magnetic working surface totally independent from the lower part of the frame housing the permanent reversible magnets AX, the electric coils and all electrical connections. It behaves as a mechanical shield.

GrindTec GT is therefore impenetrable from coolants and processing residues ensuring high reliability over time without specific maintenance.



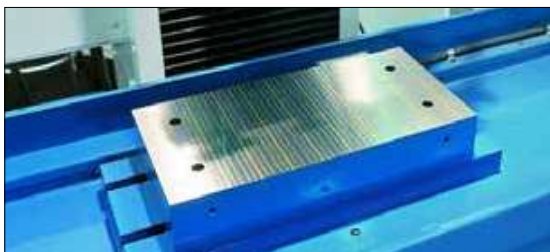
TFP0 transversal polarity. *The most convenient solution.*

Permanent-electro plates of the new TFP0 series are characterized by a steel/resin surface. They are a "universal" plate since they adapt perfectly to the needs of most applications. They guarantee the perfect clamping of various types of pieces with maximum versatility.



TFP1 transversal polarity. *The solution "Full Metal" steel and brass.*

The particular arrangement of the poles creates a dense mesh of magnetic seams, with a reduced section of short-circuiting flow (5 mm). The dense polar pitch, transversal to the working axis, allows you to securely clamp even small pieces of limited thickness. Its particular construction characteristics guarantee high wear resistance.



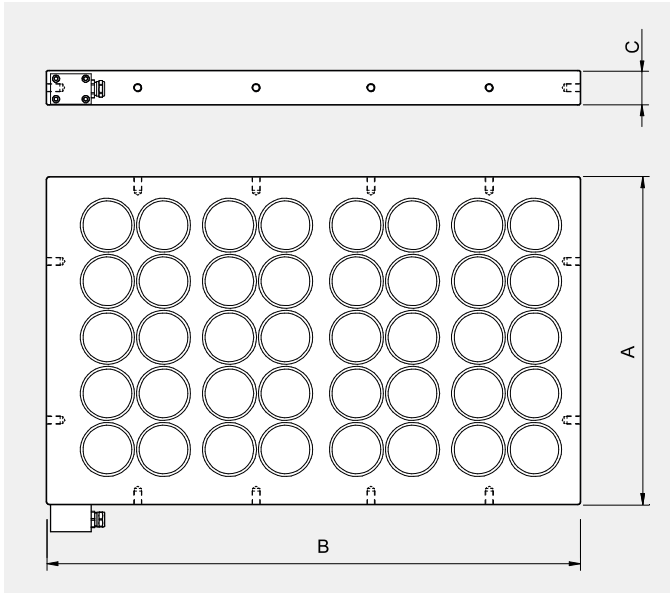
TPF ultra fine transversal polarity. *The ultra-fine "Full Metal" solution steel and brass.*

Ultra fine polar pitch suitable for pieces of limited size and very small thicknesses.

A series of multiple close-up "magnetic seams" with short-circuit section of the magnetic flux within 2 mm thickness.

GRINDTEC GT HD

Permanent-electro magnetic plates with round polarity for grinding medium/big size pieces

**Standard supply**

- Permanent-electro magnetic plates mono-block frame
- Nuflux circuit
- Hard wired water tight junction box
- Discharge cable PVC fire-retardant (6m)
- CE declaration of conformity
- Instruction manual on digital support

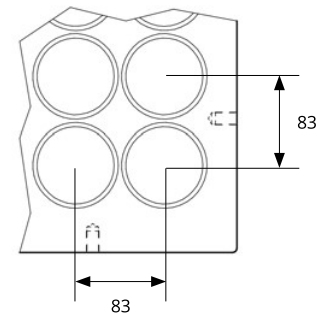
Recommended accessories

- Set of through holes according to the machine T-slots

Model	Size			Poles	Clamping force	Weight
	A	B	C *			
	mm	mm	mm	n.	kN	Kg
GT 406 HD	405	600	51	24	35	95
GT 408 HD	405	790	51	32	47	120
GT 410 HD	405	975	51	40	59	150
GT 506 HD	485	600	51	30	44	110
GT 508 HD	485	790	51	40	59	145
GT 510 HD	485	975	51	50	74	180
GT 606 HD	570	600	51	36	53	130
GT 608 HD	570	790	51	48	71	170
GT 610 HD	570	975	51	60	88	210

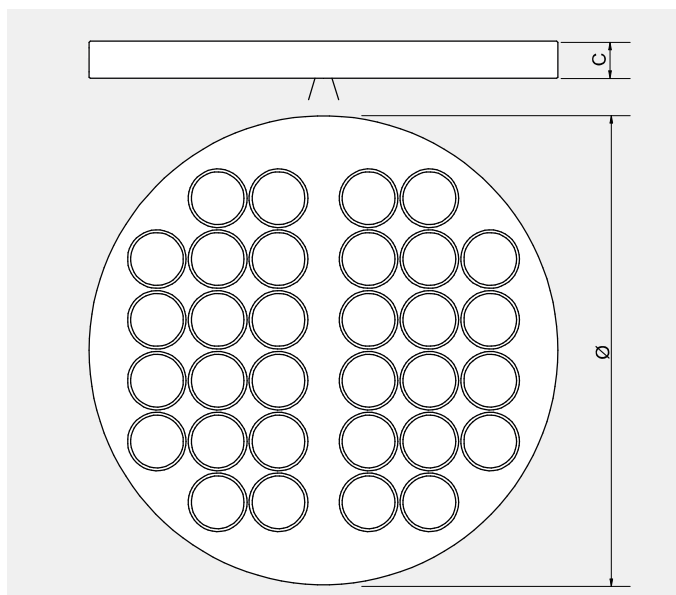
* ±0,5 mm

Suitable control unit Cod. ST200RB (pag. 45)



GRINDTEC GT R

Permanent-electro magnetic plates with round polarity for grinding medium/big size pieces

**Standard supply**

- Permanent-electro magnetic plates mono-block frame
- Nuflux circuit
- Cable outlet in the center-bottom side PVC fire-retardant (6m)
- CE declaration of conformity
- Instruction manual on digital support

Recommended accessories

- Set of through holes according to the machine T-slots

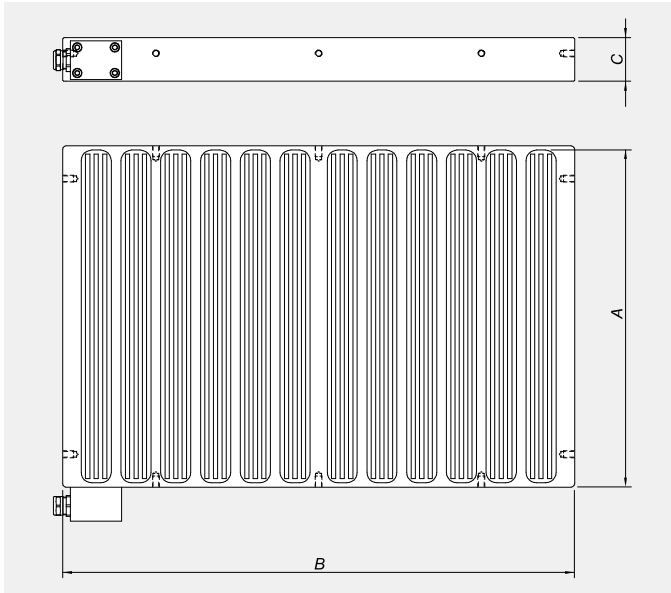
Model	Size		Poles	Clamping force	Weight
	Ø	c *			
	mm	mm	n.	kN	Kg
GT/R 0400	400	51	12	18	60
GT/R 0500	500	51	16	24	90
GT/R 0600	640	51	32	47	130
GT/R 0700	740	51	36	53	180
GT/R 0800	800	51	52	76	230
GT/R 0900	900	51	64	94	300
GT/R 1000	1020	51	70	103	370

* ± 0,5 mm

Suitable control unit Cod. ST200RB (pag. 45)

GRINDTEC TFPO

Permanent-electro magnetic plates with steel/resin surface for grinding machines

**Standard supply**

- Permanent-electro magnetic plates mono-block frame
- Max magnetic force up to 75 N/cm²
- Nuflux circuit
- Hard wired water tight junction box
- Discharge cable PVC fire-retardant (6m)
- CE declaration of conformity
- Instruction manual on digital support

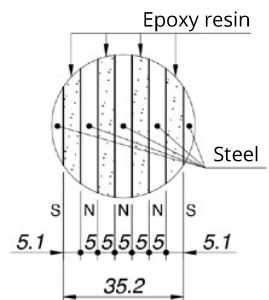
Recommended accessories

- Set of through holes according to the machine T-slots

Model	Size			Weight
	A	B	C *	
	mm	mm	mm	Kg
TFPO 305	300	500	51	50
TFPO 306	300	600	51	60
TFPO 307	300	700	51	70
TFPO 309	300	900	51	90
TFPO 310	300	1000	51	115
TFPO 312	300	1200	51	125
TFPO 405	400	500	51	65
TFPO 406	400	600	51	80
TFPO 407	400	700	51	120
TFPO 408	400	800	51	110
TFPO 410	400	1000	51	130
TFPO 505	500	500	51	110
TFPO 506	500	600	51	130
TFPO 507	500	700	51	150
TFPO 508	500	800	51	175
TFPO 510	500	1000	51	205
TFPO 605	600	500	51	130
TFPO 606	600	600	51	150
TFPO 607	600	700	51	170
TFPO 608	600	800	51	205
TFPO 610	600	1000	51	245

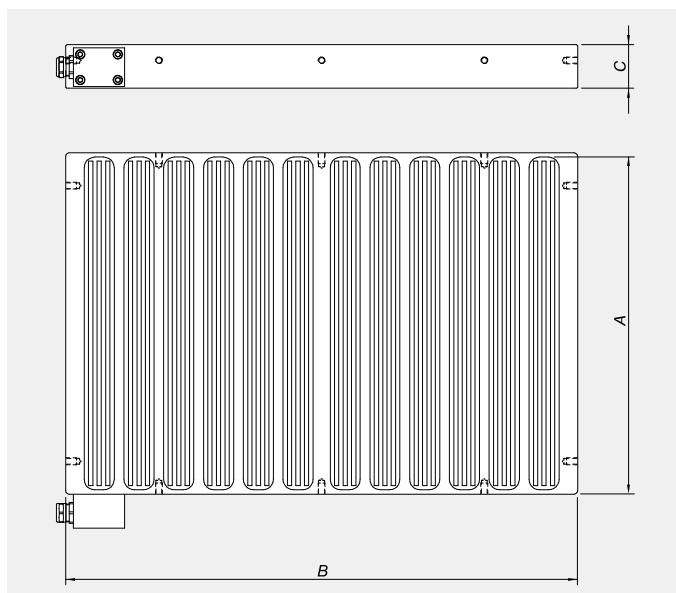
* ± 0,5 mm

Suitable control unit Cod. ST200RB (pag. 45)



GRINDTEC TFP1

Permanent-electro magnetic plates with steel/brass surface for grinding machines

**Standard supply**

- Permanent-electro magnetic plates mono-block frame
- Max magnetic force up to 75 N/cm²
- Nuflux circuit
- Hard wired water tight junction box
- Discharge cable PVC fire-retardant (6m)
- CE declaration of conformity
- Instruction manual on digital support

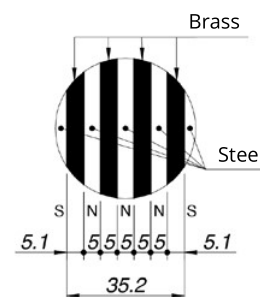
Recommended accessories

- Set of through holes according to the machine T-slots

Model	Size			Weight
	A	B	C *	
	mm	mm	mm	Kg
TFP1 305	300	500	51	80
TFP1 306	300	600	51	90
TFP1 307	300	700	51	100
TFP1 309	300	900	51	120
TFP1 310	300	1000	51	130
TFP1 312	300	1200	51	150
TFP1 405	400	500	51	100
TFP1 406	400	600	51	110
TFP1 407	400	700	51	120
TFP1 408	400	800	51	140
TFP1 410	400	1000	51	175
TFP1 505	500	500	51	110
TFP1 506	500	600	51	130
TFP1 507	500	700	51	150
TFP1 508	500	800	51	175
TFP1 510	500	1000	51	205
TFP1 605	600	500	51	130
TFP1 606	600	600	51	150
TFP1 607	600	700	51	170
TFP1 608	600	800	51	205
TFP1 610	600	1000	51	245

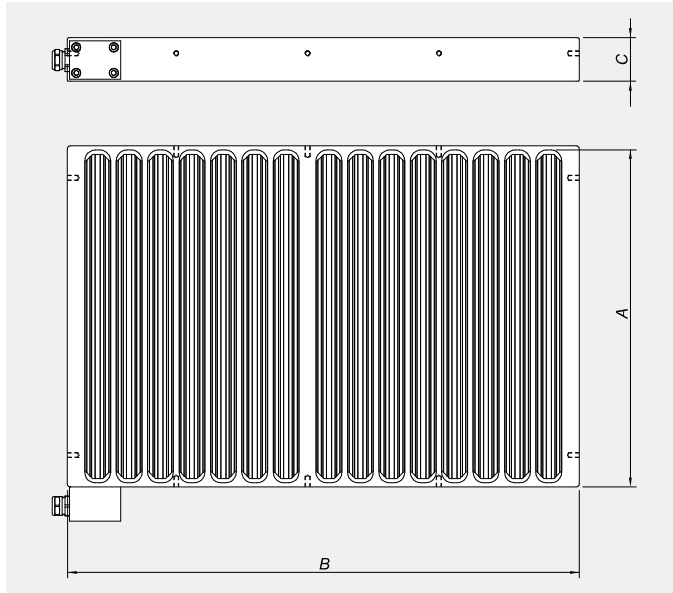
* ± 0,5 mm

Suitable control unit Cod. ST200RB (pag. 45)



GRINDTEC TPF

Permanent-electro magnetic plates "Full Metal Ultra Fine" with steel/brass surface for grinding machines
 Minimum thickness pieces 2 mm

**Standard supply**

- Permanent-electro magnetic plates mono-block frame
- Max magnetic force up to 75 N/cm²
- Nuflux circuit
- Hard wired water tight junction box
- Discharge cable PVC fire-retardant (6m)
- CE declaration of conformity
- Instruction manual on digital support

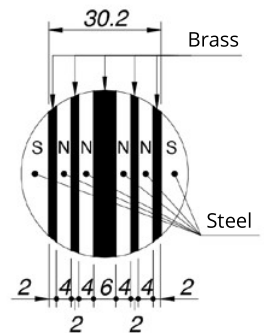
Recommended accessories

- Set of through holes according to the machine T-slots

Model	Size			Weight
	A	B	C *	
	mm	mm	mm	Kg
TPF 1545	150	450	51	50
TPF 2040	200	400	51	50
TPF 2045	200	450	51	60
TPF 2050	200	500	51	60
TPF 2060	200	600	51	70
TPF 2075	200	750	51	80
TPF 2550	250	500	51	70
TPF 2560	250	600	51	80
TPF 3050	300	500	51	80
TPF 3060	300	600	51	90
TPF 3080	300	800	51	110
TPF 3010	300	1000	51	130
TPF 4060	400	600	51	110
TPF 4080	400	800	51	140
TPF 4010	400	1000	51	170

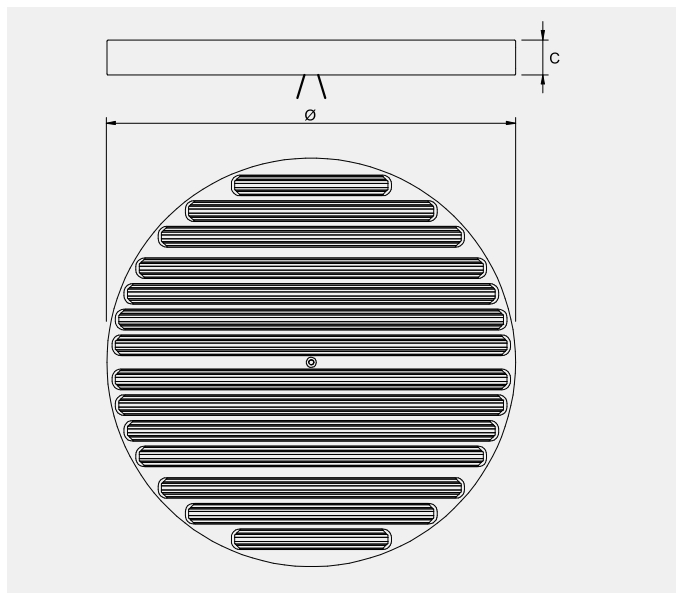
* ± 0,5 mm

Suitable control unit Cod. ST200RB (pag. 45)



GRINDTEC TPF

Permanent-electro magnetic plates "Full Metal Ultra Fine" with steel/brass surface for grinding machines
 Minimum thickness pieces 2 mm

**Standard supply**

- Permanent-electro magnetic plates mono-block frame
- Max magnetic force up to 75 N/cm²
- Nuflux circuit
- Hard wired water tight junction box
- Discharge cable PVC fire-retardant (6m)
- CE declaration of conformity
- Instruction manual on digital support

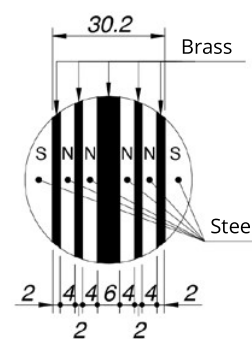
Recommended accessories

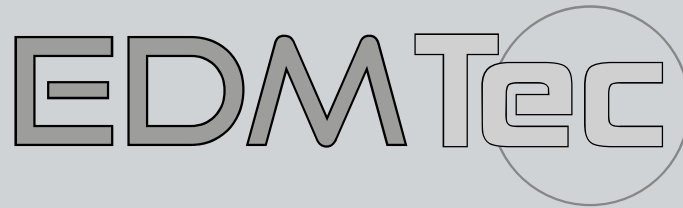
- Set of through holes according to the machine T-slots

Model	Size		Weight
	Ø	C *	
	mm	mm	Kg
TPF /C 0300	300	51	35
TPF /C 0400	400	51	45
TPF /C 0500	500	51	70
TPF /C 0600	600	51	100
TPF /C 0750	750	51	155
TPF /C 1000	1000	51	280

* ± 0,5 mm

Suitable control unit Cod. ST200RB (pag. 45)





Spark Erosion Series

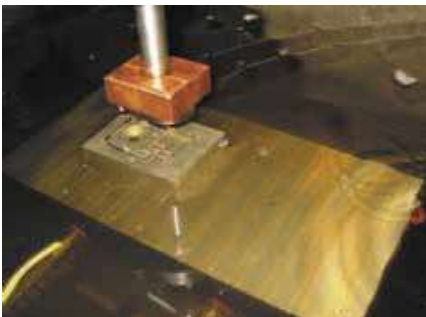


INNOVATIVE TECHNOLOGY

The EDMTEC permanent-electro system does not fear power interruptions since the electricity is only used to activate and deactivate the system. During the processing phases, the high-energy permanent magnets guarantee a constant anchoring force without time limits and without additional power supply.

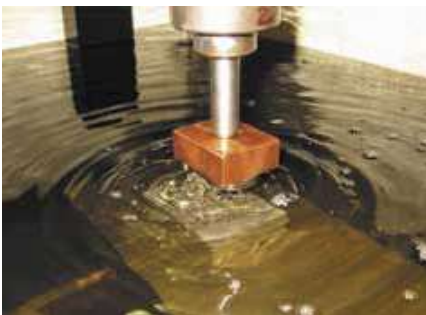
GREAT ADVANTAGES

- Uniform work-holding
- Great stability and rigidity
- Total water-tightness
- Remotely activated at the touch of a button
- Energy saving
- Easy installation



WASHING CHANNELS

The EDM TEC plates are equipped as standard with a special washing circuit made by a set of channels inside the poles such as to allow 2 or 3 outlet washing holes on the magnetic surface depending on the size of the plate. Constant washing flow prevents material depositing for better erosion quality,



NUFLUX SYSTEM

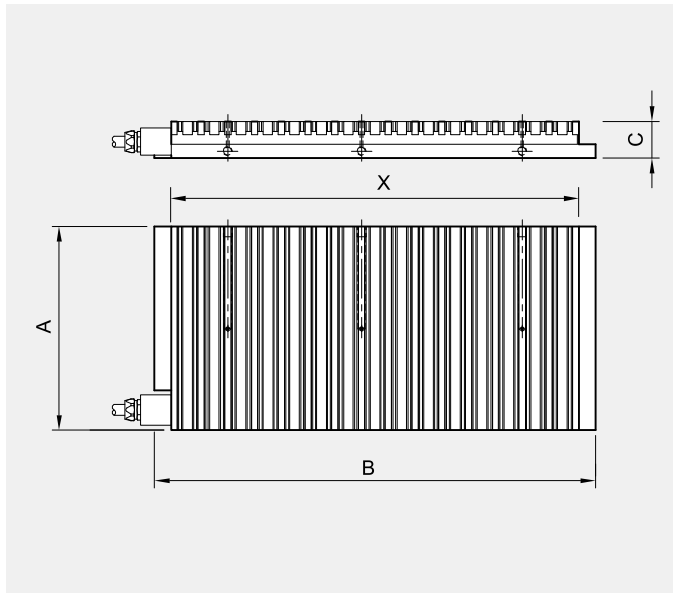
The control units are equipped as standard with the patented "NUFLUX" demagnetization system that allows you to completely eliminate any magnetic residue from the surface of the piece even with alloy material.

TOTAL WATERTIGHTNESS

The electrical circuit inside the plate and the relative external electrical connections are perfectly protected in order to ensure a perfect watertight seal in immersion use of dielectric liquid.

EDM MDS T

Permanent-electro magnetic plates "Full Metal" with steel/brass surface for spark erosion machines

**Standard supply**

- Permanent-electro magnetic plates mono-block frame
- Max magnetic force up to 75 N/cm²
- Nuflux circuit
- Hard wired water tight junction box
- Discharge cable PVC fire-retardant (6m)
- CE declaration of conformity
- Instruction manual on digital support

Recommended accessories

- Set of through holes according to the machine T-slots

Model	Size				Weight
	A	B	X	C *	
	mm	mm	mm	mm	Kg
MDS 153 /T	150	350	300	54	50
MDS 154 /T	150	450	400	54	60
MDS 203 /T	200	350	300	54	60
MDS 204 /T	200	450	400	54	70
MDS 205 /T	200	550	500	54	80
MDS 304 /T	300	450	400	54	90
MDS 305 /T	300	550	500	54	110
MDS 306 /T	300	650	600	54	130
MDS 406 /T	400	650	600	54	160

* ±0,5 mm

Suitable control unit Cod. ST200RB (pag. 45)