

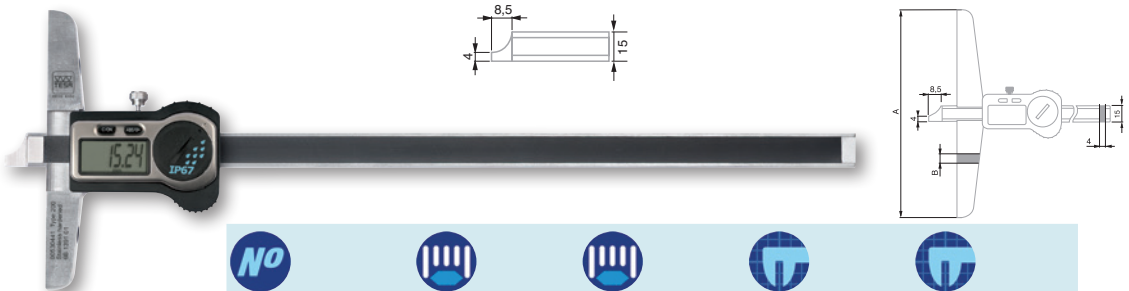
- ISO 13385-1
- 0,01 mm / 0,0005 in
- LCD, 11 mm
- Fixed zero
- mm / in conversion
- L ≤ 100 mm: 30 µm  
100 < L ≤ 600 mm: 40 µm  
600 < L ≤ 1000 mm: 50 µm
- 10 µm
- Scale with incremental divisions, inductive
- 2,5 m/s
- TLC Connectivity
- Stainless steel
- 3V lithium battery, CR2032
- 12.000 hours
- Standby mode after 10 minutes, instrument retains the zero position. Automatic shut off after 2 hours, instrument retains the zero in ABS mode, but the zero must be reset if the instrument is in DIFF mode.
- 1907/2006/CE  
2004/108/CE  
2002/96/CE
- Inspection report with declaration of conformity

## DIGITAL DEPTH CALIPERS

The range of IP67 calipers guarantees the highest level of protection against the penetration of dust and liquids. The TLC (TESA Link Connector) system built into all the TWIN-CAL calipers provides the connection of these instruments to a PC for the easy acquisition of measurement data. The unique display housing, protected by a steel plate surrounded with a rubber seal guarantees durability and offers fine sensitivity during measurement.

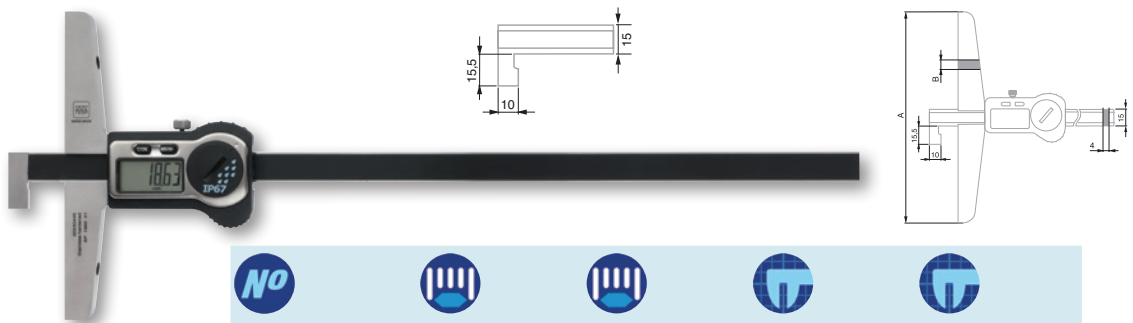


### TWIN-CAL IP67 – Models with Short Cut Measuring Face



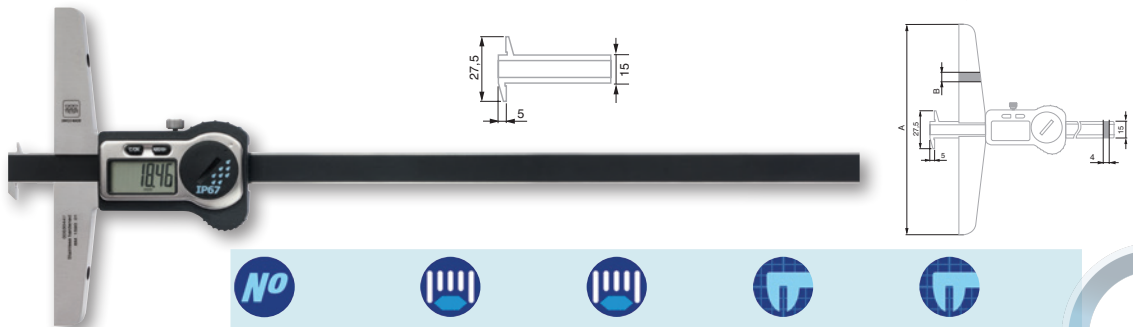
No				
00530441	200	8	100	8
00530442	250	10	100	8
00530443	300	12	150	8
00530444	500	20	150	8

### TWIN-CAL IP67 – Models with One Fixed Measuring Jaw



No				
00530445	300	12	150	8
00530446	500	20	150	8

### TWIN-CAL IP67 – Models with Two Fixed Measuring Jaws



No				
00530447	300	12	150	8

