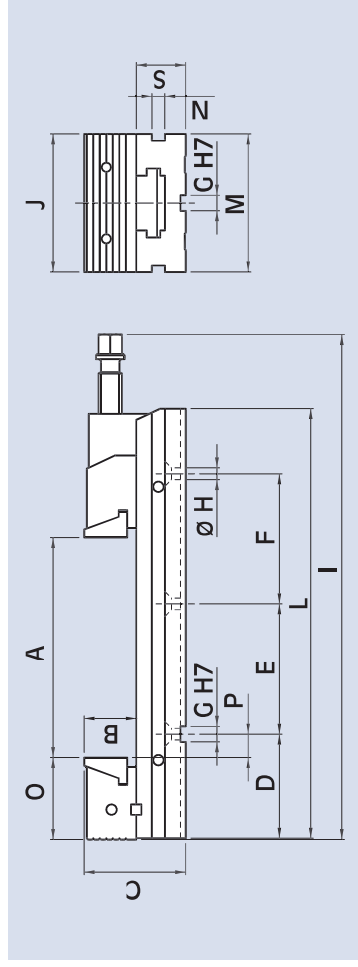


clamping equipment (for T slots)



Clamping equipment Tct complete with wrench, work stop, rigid slide way, floating slide-way (for raw work-piece), pair of positioning keys, pair of CLAK parallels, cover for the protection of the screw, eye bolt for lifting, wooden packing case.

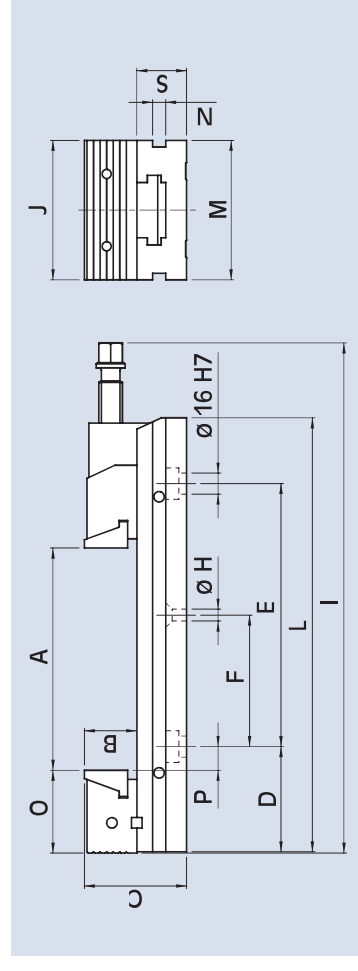


Cod.	type	A mm	B mm	C mm	D mm	E mm	F mm	G mm	H mm	I mm	J mm	L mm	M mm	N mm	O mm	P mm	S mm	Weight kg
77 58 01 01	Tct 110 x 100	100	40	78	80	150	-	12	9	338	110	280	110	10	63	18	38	11,5
77 58 01 02	Tct 110 x 150	150	40	78	80	100	100	12	9	388	110	330	110	10	63	18	38	12,5
77 58 02 01	Tct 150 x 200	200	50	98	114	200	-	18	12,5	481	150	413	150	13	85	30	48	27
77 58 02 02	Tct 150 x 250	250	50	98	114	100	150	18	12,5	531	150	463	150	13	85	30	48	29
77 58 02 03	Tct 150 x 300	300	50	98	114	100	100	18	12,5	588	150	520	150	13	85	30	48	31,5
77 58 03 01	Tct 200 x 250	250	70	138	149	150	150	18	12,5	647	200	560	200	15,5	123	27	68	74
77 58 03 02	Tct 200 x 300	300	70	138	149	200	200	18	12,5	697	200	610	200	15,5	123	27	68	78
77 58 03 03	Tct 200 x 400	400	70	138	149	150	150	18	12,5	797	200	710	200	15,5	123	27	68	86

clamping equipment (for grid)



Clamping equipment TCg complete with wrench, work stop, rigid slide way, floating slide-way (for raw work-piece), pair of CLAK parallels, cover for the protection of the screw, eye bolt for lifting, wooden packing case.



Cod.	type	A mm	B mm	C mm	D mm	E mm	F mm	H mm	I mm	J mm	L mm	M mm	N mm	O mm	P mm	S mm	Weight kg
77 58 01 07	TCg 110 x 100	100	40	78	80	150	-	9	338	110	280	110	10	63	18	38	11,5
77 58 01 08	TCg 110 x 150	150	40	78	80	200	-	9	388	110	330	110	10	63	18	38	12,5
77 58 02 07	TCg 150 x 200	200	50	98	114	200	-	12,5	481	150	413	150	13	85	30	48	27
77 58 02 08	TCg 150 x 250	250	50	98	114	200	-	12,5	531	150	463	150	13	85	30	48	29
77 58 03 07	TCg 200 x 250	250	70	138	149	300	150	12,5	647	200	560	200	15,5	123	27	68	74
77 58 03 08	TCg 200 x 300	300	70	138	149	400	200	12,5	697	200	610	200	15,5	123	27	68	78

* Other fixing and positioning holes dimensions upon request