

Modular

We use the true definition of the term modular: product which is composed of separate or separable elements. With these separate or separable elements we can achieve many different clamping solutions. The only different component of these clamping solutions is the base. The base length determines the clamping capacity while all other components remain the same. Fixed and movable vise jaws can be used with any base configuration, offering the most flexible workholding solutions available. This modular system allows the user to realize the maximum number of workholding combinations with the minimum investment in equipment.

Durability

All components are constructed from oversize steel profiles ensuring the equipment is exceptionally sturdy and can provide the user with optimal performance. Wear parts are special treated to achieve a surface hardness of 50/60 HRC. All non-ground surfaces are burnished to protect against corrosion.

Quick-change

A patented system allows quick repositioning of the clamping jaws. The clamping jaw is lifted slightly from the base and shuttled to the next clamping position then lowered into place. Part changeovers and size changes can be made quickly and easily.

Versatility

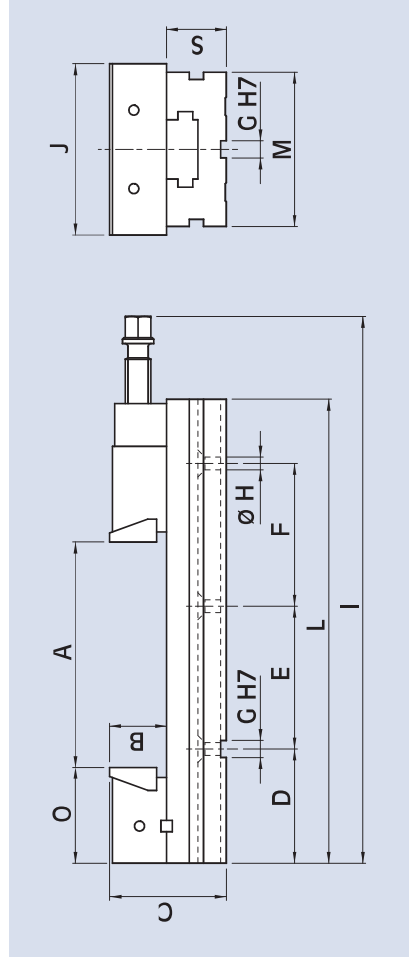
The standard CLAK system allows the quick-change of parallels, angular parallels, soft jaws and "V" jaws in order to machine any workpiece.

Manageable

The weight of 25 kg (55 lb.) for the 150 mm. x 200 mm. (6" x 8") vise and simple clamping system allow for easy movement from one machine tool to another.



Clamping equipment MC complete with wrench, work stop, rigid slide way (floating slide-way at request for raw workpiece), pair of positioning keys, pair of CLAK parallels, cover for protection of the screw, cardboard box.



Cod.	type	A	B	C	D	E	F	G	H	I	J	L	M	O	S	weight
		mm	mm	mm	mm	mm	mm	mm	mm	mm	mm	mm	mm	mm	mm	kg
77 58 06 01	MC 150 x 200	200	50	102	120	200	-	18	12,5	482	150	415	128	85	52	25,5
77 58 06 02	MC 150 x 250	250	50	102	120	100	100	18	12,5	532	150	465	128	85	52	27,5
77 58 06 03	MC 150 x 300	300	50	102	120	100	100	18	12,5	587	150	520	128	85	52	30,4
77 58 07 01	MC 200 x 300	300	70	136	150	150	150	18	12,5	656	200	570	168	109	66	66
77 58 07 02	MC 200 x 400	400	70	136	150	200	200	18	12,5	756	200	670	168	109	66	68