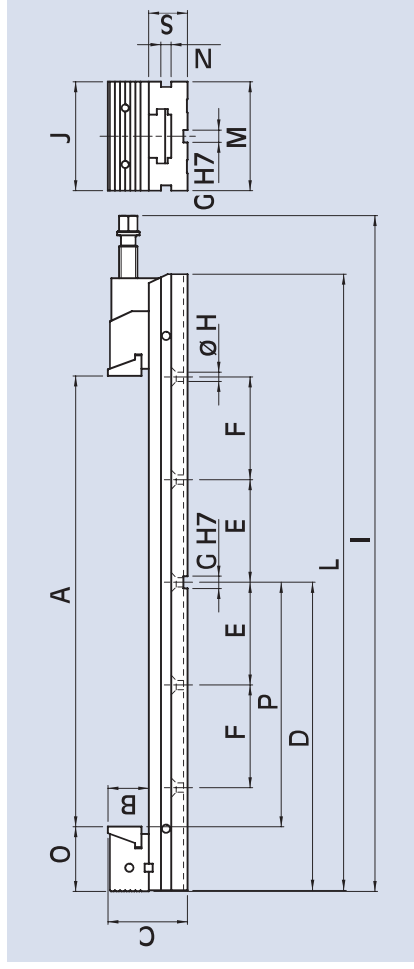


Tct - XL clamping equipment (for T slots)



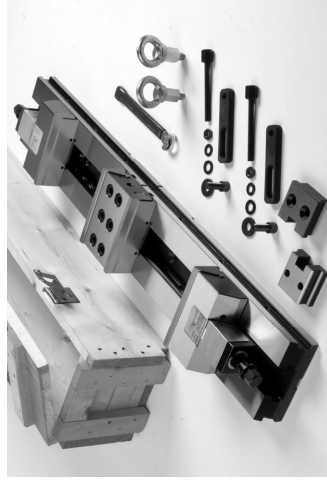
Clamping equipment Tct-XL, complete with wrench, work stop, rigid slide-way, floating slide-way (for raw workpiece), pair of positioning keys, pair of CLAK parallels, cover for the protection of the screw, eye bolt for lifting, wooden packing case.



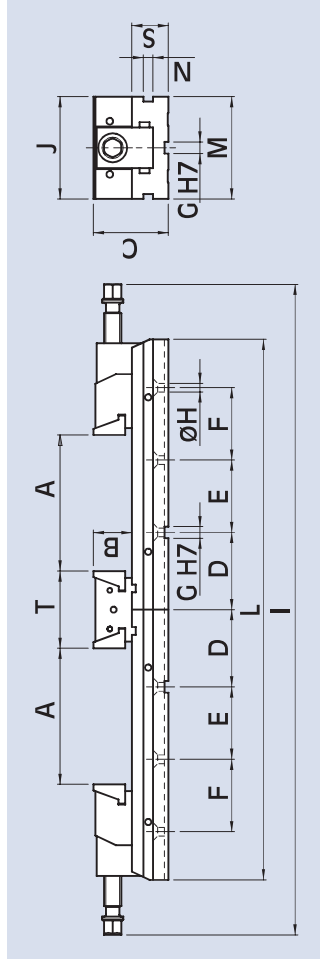
Cod.	type	A	B	C	D	E	F	G	H	I	J	L	M	N	O	P	S	Weight
		mm	mm	mm	mm	mm	mm	mm	mm	mm	mm	mm	mm	mm	mm	mm	mm	kg
77 58 01 04	Tct-XL 110 x 425	425	40	78	300	100	100	12	9	658	110	600	110	10	63	238	38	18,2
77 58 02 04	Tct-XL 150 x 545	545	50	98	379	100	150	18	12,5	825	150	758	150	13	85	295	48	40
77 58 02 05	Tct-XL 150 x 665	665	50	98	439	100	200	18	12,5	946	150	878	150	13	85	355	48	44,7

Double clamping equipment

DCS-Tct 2

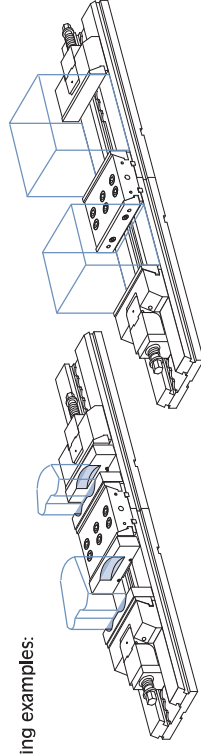


Double clamping equipment DCS-Tct complete with:
 1 wrench,
 2 work stops,
 2 rigid slide-ways,
 2 floating slide-ways (for raw workpiece),
 1 pair of positioning keys,
 2 pair of CLAK parallels,
 2 covers for the protection of the screw,
 2 eye bolts for lifting,
 wooden packing case.



Cod.	for type	A	B	C	D	E	F	G	H	I	J	L	M	N	S	T	Weight
		mm	mm	mm	mm	mm	mm	mm	mm	mm	mm	mm	mm	mm	mm	mm	kg
77 58 11 01	DCS-Tct 110 x 130	130	40	78	80	150	-	12	9	676	110	560	110	10	38	80	22
77 58 11 02	DCS-Tct 110 x 180	180	40	78	80	100	100	12	9	776	110	660	110	10	38	80	24
77 58 12 01	DCS-Tct 150 x 230	230	50	98	116	200	-	18	12,5	966	150	830	150	13	48	108	52
77 58 12 02	DCS-Tct 150 x 280	280	50	98	116	100	150	18	12,5	1066	150	930	150	13	48	108	56
77 58 13 01	DCS-Tct 200 x 280	280	70	138	150	150	150	18	12,5	1294	200	1122	200	15,5	68	194	136
77 58 13 02	DCS-Tct 200 x 330	330	70	138	150	200	200	18	12,5	1394	200	1222	200	15,5	68	194	144

Working examples:



The modularity of the system combined with some other components offers many additional clamping solutions.

