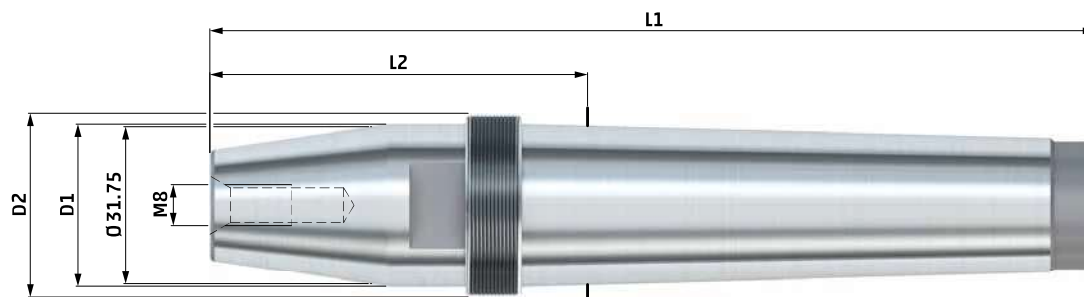


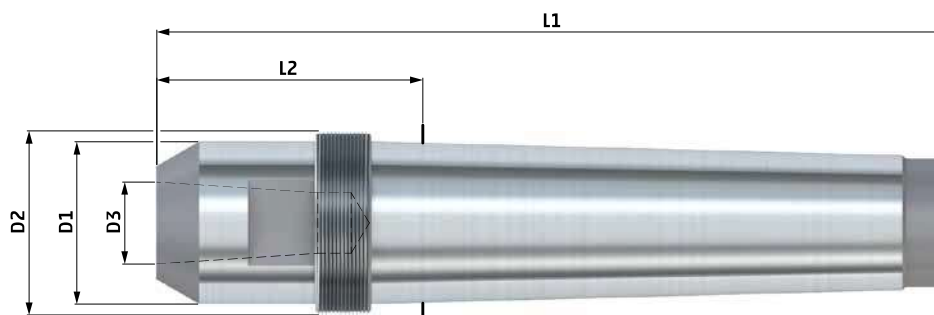
Technical data - type FNA with morse taper



TYPE FN

MK	D1	D2	D3	L1	L2	cat. no.
3	32	M27 x 1.5	-	149	68	922 01
4	32	M36 x 1.5	-	173.5	71	922 02
5	45	M48 x 1.5	-	202.5	73	922 03
6	64	M68 x 1.5	-	263.5	81.5	922 04

Technical data - type FNW with morse taper



TYPE FNC

MK	D1	D2	D3	L1	L2	cat. no.
3	24	M27 x 1.5	16	121	40	923 01
4	32	M36 x 1.5	16	154.5	52	923 02
5	45	M48 x 1.5	22	190	60	923 03
6	64	M68 x 1.5	22	252	70	923 04