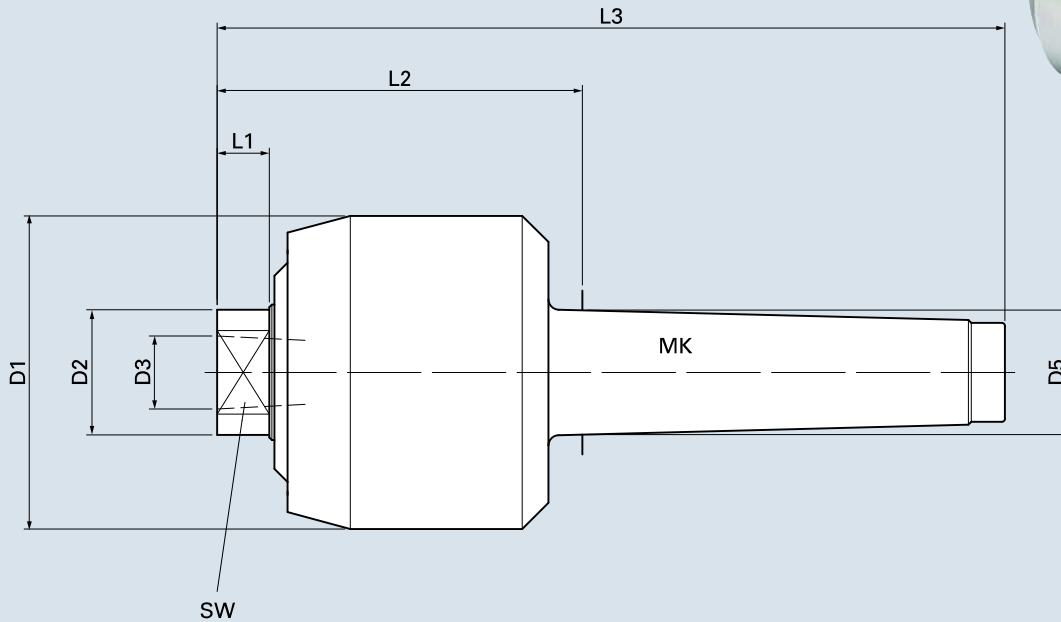




NEIDLEIN Live Center URW

Clamping tools for clamping on machine tools

Type URW with morse taper



cat. no.	type	MK	D1	D2	D3	D5	L1	L2	L3	SW	rpm max. [1/min]	weight of work piece max. [kg]
85501	URW MK2	2	45	20	12	17.78	10	59	128	17	5000	50
85502	URW MK3	3	60	24	14	23.83	11	68	149	19	4300	200
85503	URW MK4	4	76	32	18	31.27	13	79	181.5	27	3200	300
85504	URW MK5	5	96	42	24	44.4	14	98	227.5	36	2600	800

true running accuracy max. 0.01 guaranteed



NEIDLEIN Live Center URW complete
with 6 changeable inserts in wooden box

cat. no.	type	MK	D1	changeable inserts
85501-K	URW MK2	2	12	81600 / 81601 / 81602 / 81603 / 81604 / 81605
85502-K	URW MK3	3	14	81610 / 81611 / 81612 / 81613 / 81614 / 81615
85503-K	URW MK4	4	18	81620 / 81621 / 81622 / 81623 / 81624 / 81625
85504-K	URW MK5	5	24	81630 / 81631 / 81632 / 81633 / 81634 / 81635