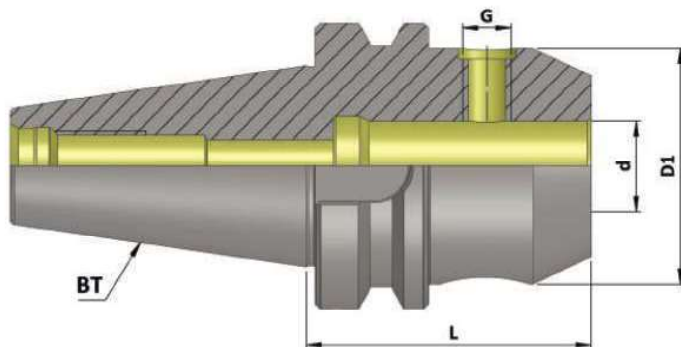


Maximum Run out of the Internal Dia with respect to the External Taper 0.005 mm



BT (MAS 403)
DIN ISO 7388 - 2
Holders

BT (MAS 403) (WE) (AD) (JD)

(Balanced to 6.3 G 15000 RPM)

Item Name	Item Code	ISO	d	D1	G	L	Screw Qty.
BT 30 WE06 050 AD/6.3G 15000SL	K10101111111110	30	6	25	M6	50	1
BT 30 WE08 050 AD/6.3G 15000 SL	K10101112111110	30	8	28	M8	50	1
BT 30 WE10 050 AD/6.3G 15000 SL	K10101113111110	30	10	35	M10	50	1
BT 30 WE12 055 AD/6.3G 15000 SL	K10101114115110	30	12	42	M12	55	1
BT 30 WE14 055 AD/6.3G 15000 SL	K10101258115110	30	14	44	M12	55	1
BT 30 WE16 063 AD/6.3G 15000 SL	K10101115119110	30	16	48	M14	63	1
BT 30WE18 063 AD/6.3G 15000 SL	K10101259119110	30	18	50	M14	63	1
BT 30WE20 070 AD/6.3G 15000 SL	K10101116125110	30	20	52	M16	70	1

BT 40WE06 050 AD/6.3G 15000 SL	K10102111111110	40	6	25	M6	50	1
BT 40WE06 100 AD/6.3G 15000 SL	K10102111148110	40	6	25	M6	100	1
BT 40WE06 160 AD/6.3G 15000 SL	K10102111175110	40	6	25	M6	160	1
BT 40WE 08 050 AD/6.3G 15000 SL	K10102112111110	40	8	28	M8	50	1
BT 40WE 08 100 AD/6.3G 15000 SL	K10102112148110	40	8	28	M8	100	1
BT 40WE 08 160 AD/6.3G 15000 SL	K10102112175110	40	8	28	M8	160	1
BT 40WE 10 063 AD/6.3G 15000 SL	K10102113119110	40	10	35	M10	63	1
BT 40WE 10 100 AD/6.3G 15000 SL	K10102113148110	40	10	35	M10	100	1
BT 40WE 10 160 AD/6.3G 15000 SL	K10102113175110	40	10	35	M10	160	1
BT 40WE 12 063 AD/6.3G 15000 SL	K10102114119110	40	12	42	M12	63	1
BT 40WE 12 100 AD/6.3G 15000 SL	K10102114148110	40	12	42	M12	100	1
BT 40WE 12 160 AD/6.3G 15000 SL	K10102114175110	40	12	42	M12	160	1
BT 40WE 14 063 AD/6.3G 15000 SL	K10102258119110	40	14	44	M12	63	1
BT 40WE 14 100 AD/6.3G 15000 SL	K10102258148110	40	14	44	M12	100	1
BT 40WE 14 160 AD/6.3G 15000 SL	K10102258175110	40	14	44	M12	160	1
BT 40WE 16 063 AD/6.3G 15000 SL	K10102115119110	40	16	48	M14	63	1
BT 40WE 16 100 AD/6.3G 15000 SL	K10102115148110	40	16	48	M14	100	1
BT 40WE 16 160 AD/6.3G 15000 SL	K10102115175110	40	16	48	M14	160	1
BT 40WE 18 063 AD/6.3G 15000 SL	K10102259119110	40	18	50	M14	63	1
BT 40WE 18 100 AD/6.3G 15000 SL	K10102259148110	40	18	50	M14	100	1
BT 40WE 18 160 AD/6.3G 15000 SL	K10102259175110	40	18	50	M14	160	1
BT 40WE 20 063 AD/6.3G 15000 SL	K10102116119110	40	20	52	M16	63	1
BT 40WE 20 100 AD/6.3G 15000 SL	K10102116148110	40	20	52	M16	100	1
BT 40WE 20 160 AD/6.3G 15000 SL	K10102116175110	40	20	52	M16	160	1

Note: • All Dimensions are in mm
• These Holders are most suitable for Weldon Type End Mill as per standard DIN 1835 - B

Continued...