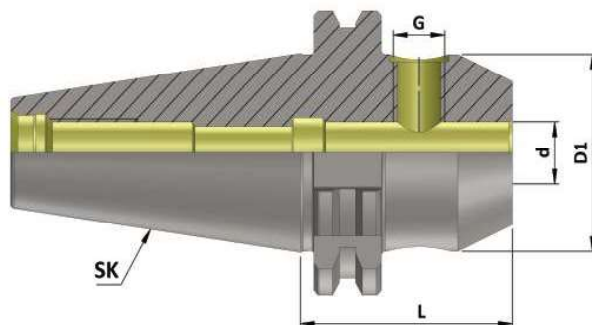


Maximum Run out of the Internal Dia with respect to the External Taper 0.005 mm

SK (DIN 69871)
 DIN ISO 7388 - 1
 Holders



SK (DIN 69871) (WE) (AD)

(Balanced to 6.3 G 15000 RPM)

Item Name	Item Code	SK	d	D1	G	L	Screw Qty.
SK 40 WE06 050 AD/6.3G15000 SL	K10104111111110	40	6	25	M6	50	1
SK 40 WE06 100 AD/6.3G15000 SL	K10104111148110	40	6	25	M6	100	1
SK 40 WE06 160 AD/6.3G15000 SL	K10104111175110	40	6	25	M6	160	1
SK 40 WE08 050 AD/6.3G15000 SL	K10104112111110	40	8	28	M8	50	1
SK 40 WE08 100 AD/6.3G15000 SL	K10104112148110	40	8	28	M8	100	1
SK 40 WE08 160 AD/6.3G15000 SL	K10104112175110	40	8	28	M8	160	1
SK 40 WE10 050 AD/6.3G15000 SL	K10104113111110	40	10	35	M10	50	1
SK 40 W 10 100 AD/6.3G15000 SL	K10104113148110	40	10	35	M10	100	1
SK 40 WE10 160 AD/6.3G15000 SL	K10104113175110	40	10	35	M10	160	1
SK 40 WE12 050 AD/6.3G15000 SL	K10104114111110	40	12	42	M12	50	1
SK 40 WE12 100 AD/6.3G15000 SL	K10104114148110	40	12	42	M12	100	1
SK 40 WE12 160 AD/6.3G15000 SL	K10104114175110	40	12	42	M12	160	1
SK 40 WE14 050 AD/6.3G15000 SL	K10104258111110	40	14	44	M12	50	1
SK 40 WE14 100 AD/6.3G15000 SL	K10104258148110	40	14	44	M12	100	1
SK 40 WE14 160 AD/6.3G15000 SL	K10104258175110	40	14	44	M12	160	1
SK 40 WE16 063 AD/6.3G15000 SL	K10104115119110	40	16	48	M14	63	1
SK 40 WE16 100 AD/6.3G15000 SL	K10104115148110	40	16	48	M14	100	1
SK 40 WE16 160 AD/6.3G15000 SL	K10104115175110	40	16	48	M14	160	1
SK 40 WE18 063 AD/6.3G15000 SL	K10104259119110	40	18	50	M14	63	1
SK 40 WE18 100 AD/6.3G15000 SL	K10104259148110	40	18	50	M14	100	1
SK 40 WE18 160 AD/6.3G15000 SL	K10104259175110	40	18	50	M14	160	1
SK 40 WE20 063 AD/6.3G15000 SL	K10104116119110	40	20	52	M16	63	1
SK 40 WE20 100 AD/6.3G15000 SL	K10104116148110	40	20	52	M16	100	1
SK 40 WE20 160 AD/6.3G15000 SL	K10104116175110	40	20	52	M16	160	1
SK 40 WE25 100 AD/6.3G15000 SL	K10104117148110	40	25	65	M18X2	100	2
SK 40 WE25 160 AD/6.3G15000 SL	K10104117175110	40	25	65	M18X2	160	2
SK 40 WE32 100 AD/6.3G15000 SL	K10104118148110	40	32	72	M20X2	100	2
SK 40 WE32 160 AD/6.3G15000 SL	K10104118175110	40	32	72	M20X2	160	2
SK 40 WE40 115 AD/6.3G15000 SL	K10104119159110	40	40	80	M20X2	115	2
SK 40 WE40 160 AD/6.3G15000 SL	K10104119175110	40	40	80	M20X2	160	2

Note: All Dimensions are in mm
 These Holders are most suitable for Weldon Type End Mill as per standard DIN 1835 - B