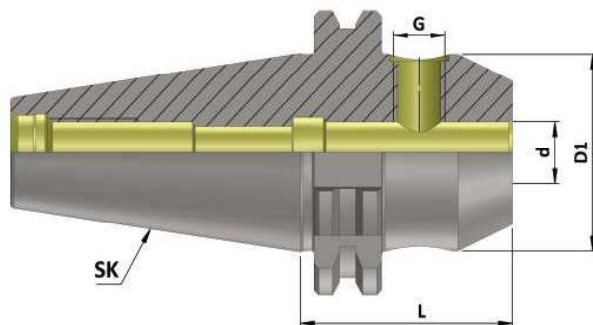


Maximum Run out of the Internal Dia with respect to the External Taper 0.005 mm



SK (DIN 69871)  
DIN ISO 7388 - 1  
Holders

**SK (DIN 69871) (WE) (AD)**

**(Balanced to 6.3 G 15000 RPM)**

Item Name	Item Code	SK	d	D1	G	L	Screw Qty.
SK 50 WE 06 063 AD/6.3G15000 SL	K10105111119110	50	6	25	M6	63	1
SK 50 WE 06 100 AD/6.3G15000 SL	K101051111148110	50	6	25	M6	100	1
SK 50 WE 06 160 AD/6.3G15000 SL	K10105111175110	50	6	25	M6	160	1
SK 50 WE 08 063 AD/6.3G15000 SL	K10105112119110	50	8	28	M8	63	1
SK 50 WE 08 100 AD/6.3G15000 SL	K10105112148110	50	8	28	M8	100	1
SK 50 WE 08 160 AD/6.3G15000 SL	K10105112175110	50	8	28	M8	160	1
SK 50 WE 10 063 AD/6.3G15000 SL	K10105113119110	50	10	35	M10	63	1
SK 50 WE 10 100 AD/6.3G15000 SL	K10105113148110	50	10	35	M10	100	1
SK 50 WE 10 160 AD/6.3G15000 SL	K10105113175110	50	10	35	M10	160	1
SK 50 WE 12 063 AD/6.3G15000 SL	K10105114119110	50	12	42	M12	63	1
SK 50 WE 12 100 AD/6.3G15000 SL	K10105114148110	50	12	42	M12	100	1
SK 50 WE 12 160 AD/6.3G15000 SL	K10105114175110	50	12	42	M12	160	1
SK 50 WE 14 063 AD/6.3G15000 SL	K10105258119110	50	14	44	M12	63	1
SK 50 WE 14 100 AD/6.3G15000 SL	K10105258148110	50	14	44	M12	100	1
SK 50 WE 14 160 AD/6.3G15000 SL	K10105258175110	50	14	44	M12	160	1
SK 50 WE 16 063 AD/6.3G15000 SL	K10105115119110	50	16	48	M14	63	1
SK 50 WE 16 100 AD/6.3G15000 SL	K10105115148110	50	16	48	M14	100	1
SK 50 WE 16 160 AD/6.3G15000 SL	K10105115175110	50	16	48	M14	160	1
SK 50 WE 18 063 AD/6.3G15000 SL	K10105259119110	50	18	50	M14	63	1
SK 50 WE 18 100 AD/6.3G15000 SL	K10105259148110	50	18	50	M14	100	1
SK 50 WE 18 160 AD/6.3G15000 SL	K10105259175110	50	18	50	M14	160	1
SK 50 WE 20 063 AD/6.3G15000 SL	K10105116119110	50	20	52	M16	63	1
SK 50 WE 20 100 AD/6.3G15000 SL	K10105116148110	50	20	52	M16	100	1
SK 50 WE 20 160 AD/6.3G15000 SL	K10105116175110	50	20	52	M16	160	1
SK 50 WE 25 080 AD/6.3G15000 SL	K10105117131110	50	25	65	M18X2	80	2
SK 50 WE 25 100 AD/6.3G15000 SL	K10105117148110	50	25	65	M18X2	100	2
SK 50 WE 25 160 AD/6.3G15000 SL	K10105117175110	50	25	65	M18X2	160	2
SK 50 WE 32 100 AD/6.3G15000 SL	K10105118148110	50	32	72	M20X2	100	2
SK 50 WE 32 160 AD/6.3G15000 SL	K10105118175110	50	32	72	M20X2	160	2
SK 50 WE 40 120 AD/6.3G15000 SL	K10105119162110	50	40	80	M20X2	120	2
SK 50 WE 40 160 AD/6.3G15000 SL	K10105119175110	50	40	80	M20X2	160	2
SK 50 WE 50 120 AD/6.3G15000 SL	K10105120162110	50	50	100	M24X2	120	2

Note: All Dimensions are in mm  
 These Holders are most suitable for Weldon Type End Mill as per standard DIN 1835 - B