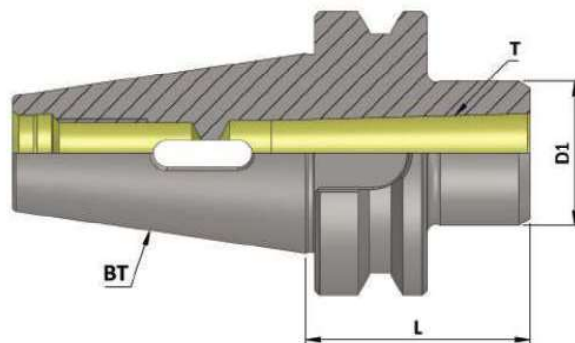


Maximum Run out of the Internal Taper with respect to the External Taper 0.005 mm



BT (MAS 403)
 DIN ISO 7388 - 2
 Holders

BT (MAS 403) (MTA)

(Balanced to 6.3 G 15000 RPM)

Item Name	Item Code	ISO	Morse Taper (T)	D1	L
BT 30 MT01 050 6.3G 15000 SL	K10101447111122	30	1	25	50
BT 30 MT02 060 6.3G 15000 SL	K10101448117122	30	2	32	60
BT 30 MT03 075 6.3G 15000 SL	K10101449127122	30	3	40	75
BT 40 MT01 050 6.3G 15000 SL	K10102447111122	40	1	25	50
BT 40 MT01 115 6.3G 15000 SL	K10102447159122	40	1	25	115
BT 40 MT02 050 6.3G 15000 SL	K10102448111122	40	2	32	50
BT 40 MT02 125 6.3G 15000 SL	K10102448164122	40	2	32	125
BT 40 MT03 070 6.3G 15000 SL	K10102449125122	40	3	40	70
BT 40 MT03 140 6.3G 15000 SL	K10102449169122	40	3	40	140
BT 40 MT04 095 6.3G 15000 SL	K10102451145122	40	4	48	95
BT 50 MT01 050 6.3G 15000 SL	K10103447111122	50	1	25	50
BT 50 MT01 120 6.3G 15000 SL	K10103447162122	50	1	25	120
BT 50 MT02 060 6.3G 15000 SL	K10103448117122	50	2	32	60
BT 50 MT02 140 6.3G 15000 SL	K10103448169122	50	2	32	140
BT 50 MT03 065 6.3G 15000 SL	K10103449123122	50	3	40	65
BT 50 MT03 150 6.3G 15000 SL	K10103449173122	50	3	40	150
BT 50 MT04 095 6.3G 15000 SL	K10103451145122	50	4	48	95
BT 50 MT04 180 6.3G 15000 SL	K10103451178122	50	4	48	180
BT 50 MT05 120 6.3G 15000 SL	K10103450162122	50	5	63	120
BT 50 MT05 220 6.3G 15000 SL	K10103450180122	50	5	63	220

Note: All Dimensions are in mm