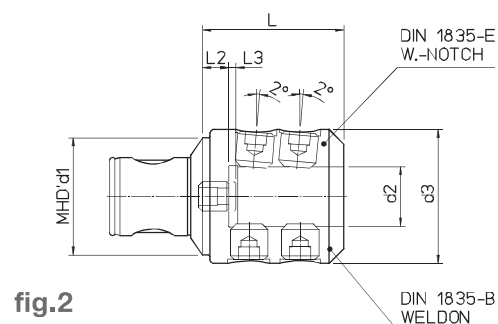
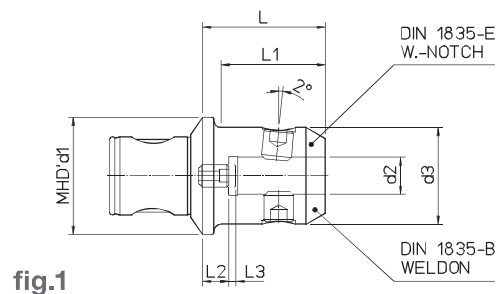


- CHUCKING TOOLS
- ADAPTER
- ADAPTADORES
- ADAPTATEURS
- ADATTATORI

- WELDON WHISTLE NOTCH CHUCKING TOOLS
- WELDON / WHISTLE NOTCH WERKZEUGAUFNAHMEN
- ADAPTADORES WELDON WHISTLE NOTCH
- ADAPTATEURS WELDON WHISTLE NOTCH
- ADATTATORI WELDON WHISTLE NOTCH

DIN 1835 B-E
AW



REF.	CODE	MHD' d1	d2 ^{H5}	d3	L	L1	L2	L3	kg	fig.
AW 50/6	655805000060	50	6	25	44	32.5	7	2	0.5	1
AW 50/8	655805000080		8	28		33				
AW 50/10	655805000100		10	35		42				
AW 50/12	655805000120		12	42		48				
AW 50/14	655805000140		14	48	67	17	3	1.1		
AW 50/16	655805000160		16	51					61	
AW 50/20	655805000200		20	63	-	16	1.2			
AW 50/25	655805000250		25	63	80	22	1.8	2		
AW 63/16	655806300160	63	16	48	64	53	14	4	1.4	1
AW 63/20	655806300200		20	52	66	56			1.5	
AW 63/25	655806300250		25	64	74	-	16	2.1		
AW 63/32	655806300320		32	72	76		14	2.5	2	
AW 80/40	655808000400		80	40	80	83	12	3.2		