

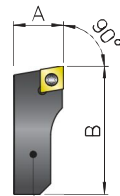
D'ANDREA

MODULHARD'ANDREA

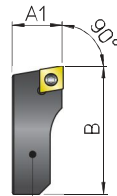
40

- BIT-HOLDERS FOR DOUBLE-BIT ITEMS
- PLATTENHALTER FÜR ZWEISCHNEIDERWERKZEUGE
- PORTAPLAQUITAS PARA ASIENTOS A DOS CUCHILLAS
- PORTE-PLAQUETTES POUR PRODUITS À DEUX COUPANTS
- SEGGI PER BITAGLIANTI

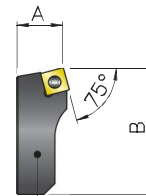
SSCC - SMCC - SSSC



SSC...



SMCC...



SSS...

REF.	CODE	A	A1	B					Kg.
SSCC 16	470500516201	8		15	CCMT 0602..	-	TS 25	TORX T08	0.003
SSCC 20	470500520201	9.5		19					0.006
SSCC 25	470500525201	12.5	-	23					0.01
SSCC 32	470500532201								0.02
SSCC 33	470500532204	15		32	CCMT 09T3..	-	TS 4	TORX T15	0.025
SSCC 40	470500540201	19	-	40					0.06
SSCC 41	470500540204				CCMT 1204..	-	TS5	TORX T25	0.06
SSCC 50	470500550204	22		54					0.1
SSCC 63	470500563201	27	-	70.5					0.2
SSCC 80	470500580201	32		94.5					0.5
SSCC 90	470500590201				0.7				
SSCN 95	470500595201	40		130	CNM. 1906..		p. 126		0.9
SMCC 25	470500525203	-	12.3	23	CCMT 0602..	-	TS 25	TORX T08	0.01
SMCC 32	470500532203		14.8	32	CCMT 09T3..	-	TS 4	TORX T15	0.02
SMCC 33	470500532205	-							0.025
SMCC 40	470500540203		18.7	40	CCMT 1204..	-	TS 5	TORX T25	0.06
SMCC 41	470500540205								0.1
SMCC 50	470500550205		21.7	54					0.2
SMCC 63	470500563203	-	26.7	70.5					0.5
SMCC 80	470500580203		31.7	94.5	0.7				
SMCC 90	470500590203			130					
SSSC 32	470500532202	15		32	-	SCMT 09T3..	TS 4	TORX T15	0.02
SSSC 40	470500540202	19	-	40					0.06
SSSC 50	470500550202	22		54	-	SCMT 1204..	TS 5	TORX T25	0.1
SSSC 63	470500563202	27		70.5					0.2
SSSC 80	470500580202	32	-	94.5					0.5
SSSC 90	470500590202								0.7
SSSN 95	470500595202	40		130	SNM. 1906..		p. 126		0.9

118

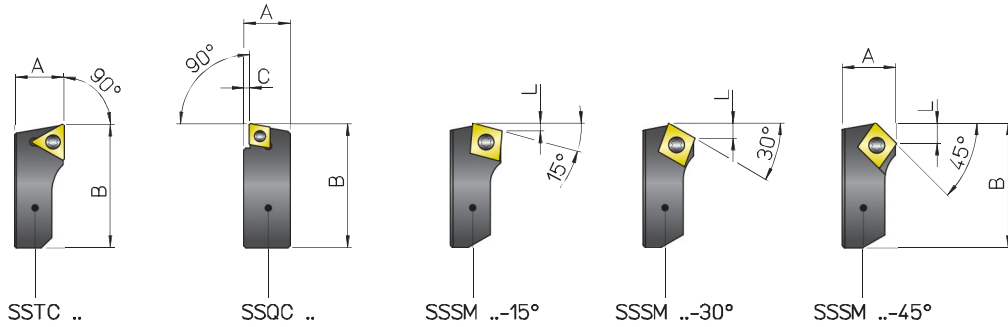


116



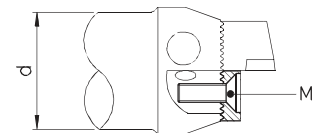
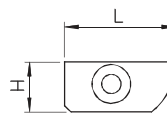
- BIT-HOLDERS FOR DOUBLE-BIT ITEMS
- PLATTENHALTER FÜR ZWEISCHNEIDERWERKZEUGE
- PORTAPLAQUITAS PARA ASIENTOS A DOS CUCHILLAS
- PORTE-PLAQUETTES POUR PRODUITS À DEUX COUPANTS
- SEGGI PER BITAGLIANTI

SSTC - SSQC - SSSM



REF.	CODE	A	B	C	L	△	□	⌢	🔧	Kg.
SSTC 63	470500563206	27	70.5							0.2
SSTC 80	470500580206	32	94.5	-	-	TCMT 2204..	-	TS 5	TORX T25	0.5
SSTC 90	470500590206		130							0.7
SSQC 16	470500516261	10	16	2						0.005
SSQC 20	470500520261	11	19.5	1.5			CCMT 0602..	TS 25	TORX T08	0.008
SSQC 25	470500525261	14.5	24	2.5						0.02
SSQC 33	470500533261	17	32	3			CCMT 09T3..	TS 4	TORX T15	0.03
SSQC 41	470500541261	21	42	3.5	-	-	CCMT 1204..	TS 5	TORX T25	0.08
SSQC 50	470500550261	24.5	57							0.15
SSQC 63	470500563261	28.5	76							0.3
SSQC 80	470500580261	31.5	101							0.6
SSQC 90	470500590261		122	0.8						
SSSM 25-15°	470500525211	12.5	23	-	1.6	-	CCMT 0602..	TS 25	TORX T08	0.01
SSSM 25-30°	470500525213				3					
SSSM 25-45°	470500525215				4.3					
SSSM 32-15°	470500532211	15	31	-	1.6	-	CCMT 09T3..	TS 4	TORX T15	0.025
SSSM 32-30°	470500532213				3					
SSSM 32-45°	470500532215				4.3					
SSSM 40-15°	470500540211	19	39	-	2.4	-	CCMT 09T3..	TS 4	TORX T15	0.06
SSSM 40-30°	470500540213				4.6					
SSSM 40-45°	470500540215				6.5					
SSSM 50-15°	470500550211	22	53	-	3.2	-	CCMT 1204..	TS 5	TORX T25	0.1
SSSM 50-30°	470500550213				6.2					
SSSM 50-45°	470500550215				8.8					

- COVER PLATES
- ABDECKPLATTEN
- PROTECCIONES
- CACHES DE PROTECTION
- PROTEZIONI MILLERIGHE



PT

REF.	CODE	d	H	L	M
PT 16	384765000160	16	7	14	M 3x12
PT 20	384765000200	20	8.5	17	M 4x14
PT 25	384765000250	25	10.2	21	M 4x16
PT 32	384765000320	32	13.9	28	M 5x20
PT 40	384765000400	40	17.4	35	M 6x25
PT 50	384765000500	50	21.4	47.5	M 8x25
PT 63	384765000630	63	26.4	62	M 10x30
PT 80	384765000800	80	33.9	82.5	M 12x35

