

- DISC AND FACING CUTTER HOLDERS
- SCHEIBEN- UND PLANFRÄSERAUFSTECKDORNE
- ADAPTADORES PARA FRESAS A DISCO Y DE PLANEAR
- ADAPTATEURS POUR FRAISES À DISQUE ET À SURFACER
- ADATTATORI PER FRESE A DISCO E A SPIANARE

PF

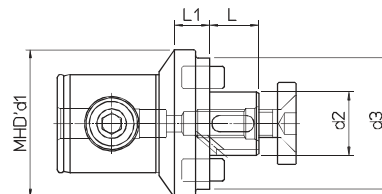
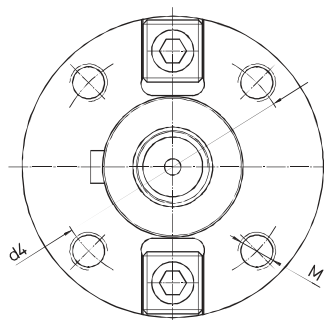
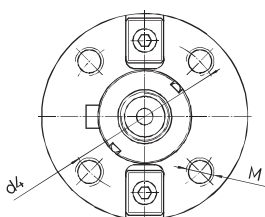


fig.1

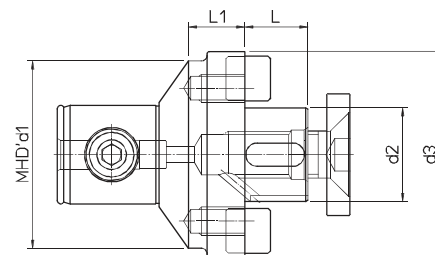


fig.2

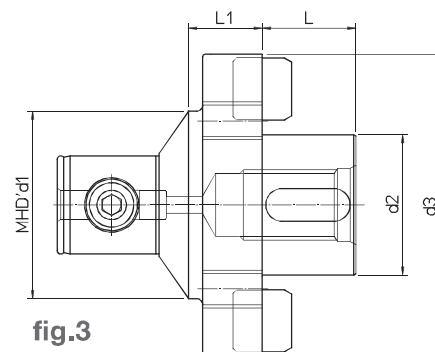


fig.3

REF.	CODE	MHD' d1	d2	d3	d4	M	L	L1	kg	fig.
PF 40/16	655904020165	40	16	32	-	-	17	15	0.3	1
PF 40/22	655904020225		22	40			19	13	0.4	
PF 50/16	655905000160	50	16	32			17	15	0.5	
PF 50/22	655905000220		22	40			19		0.6	
PF 50/27	655905000270		27	50			21		0.7	
PF 50/32	655905000320		32	60			24		0.9	
PF 63/22	655906300220	63	22	60			19	24	1.1	
PF 63/27	655906300270		27	63			21		1.2	
PF 63/32	655906300320		32	80			24		1.7	
PF 80/32	655908000320	80	32	80			66.7	M12	27	
PF 80/40	655908000400		40	84	-	-	30	2.0		
PF 80/50	655908000500		50	90	-	-	40	31.5	3.5	3
PF 80/60	655908000600		60	128.5	101.6	M16	40	20	4.2	
PF 110/40	655911000400	110	40	88	66.7	M12	27	20	4.2	2
PF 110/60	655911000600		60	128.5	101.6	M16	40	36	6	3
PF 140/40	655914000400	140	40	88	66.7	M12	27	26	6.2	2
PF 140/60	655914000600		60	140	101.6	M16	40		7.8	3

