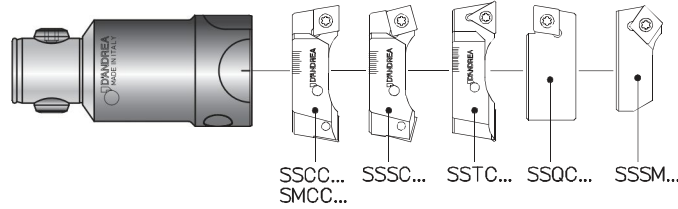


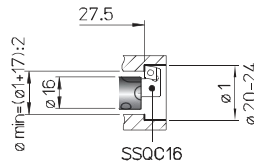
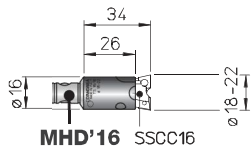
- DOUBLE-BIT HEADS
- ZWISCHNEIDERBOHRKÖPFE
- CABEZALES DE DOS CUCHILLAS
- TÊTES À DOUBLE TRANCHANT
- TESTINE BITAGLIANTI



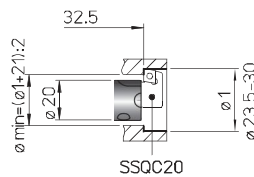
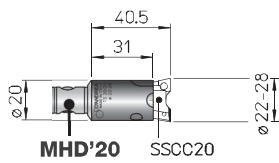
p. 37

| REF.     | CODE         | Kg.  |
|----------|--------------|------|
| TS 16/16 | 455501600340 | 0.05 |
| TS 20/20 | 455502000400 | 0.09 |
| TS 25/25 | 455502500500 | 0.2  |
| TS 32/32 | 455503200630 | 0.35 |
| TS 40/40 | 455504000800 | 0.7  |

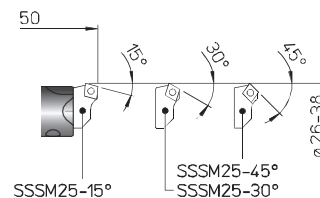
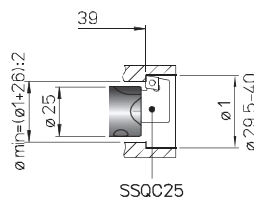
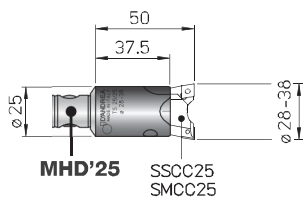
| REF.     | CODE         | Kg. |
|----------|--------------|-----|
| TS 50/50 | 455305001000 | 1.5 |
| TS 50/63 | 455306300800 | 2   |
| TS 63/63 | 455406301250 | 3   |
| TS 80/80 | 455408001400 | 5.3 |



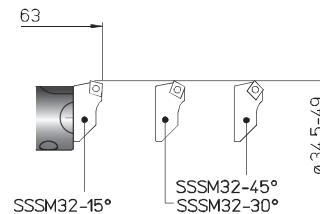
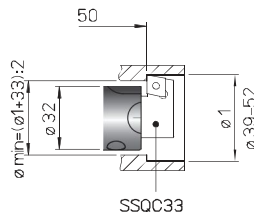
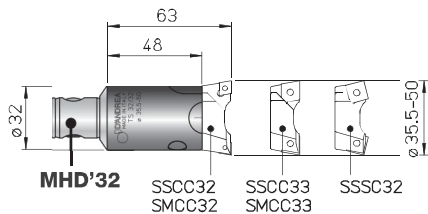
**TS 16/16**  
Ø 18 ~ 22



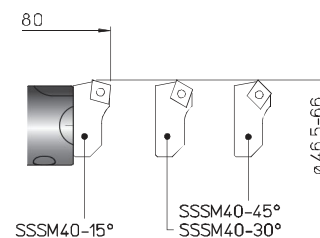
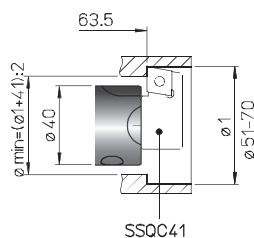
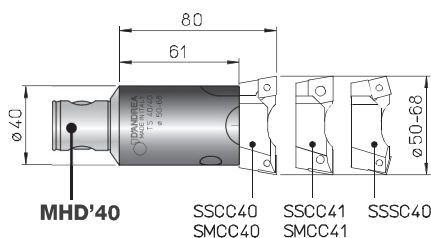
**TS 20/20**  
Ø 22 ~ 28



**TS 25/25**  
Ø 28 ~ 38



**TS 32/32**  
Ø 35.5 ~ 50

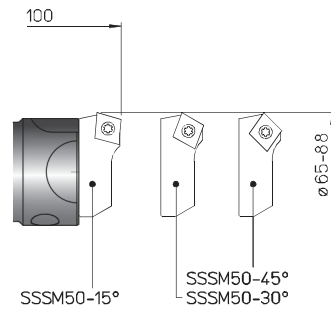
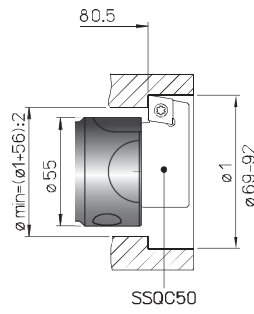
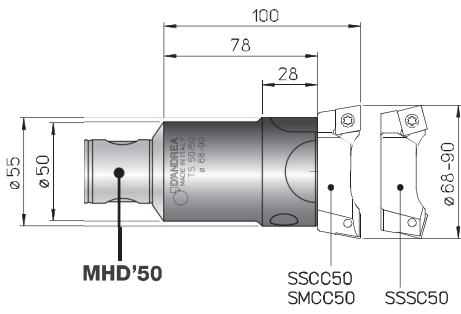


**TS 40/40**  
Ø 50 ~ 68

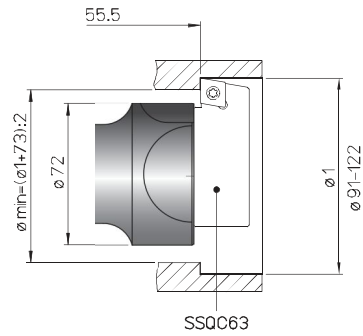
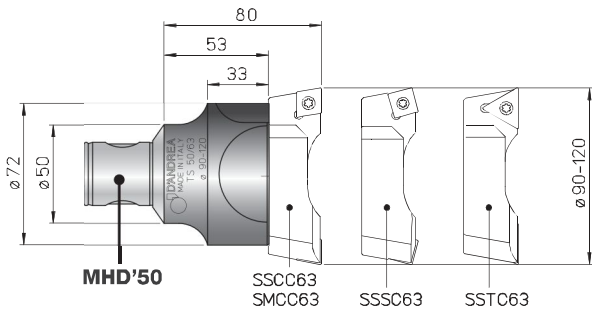


# TS 50~80 Ø 68 ~ 200

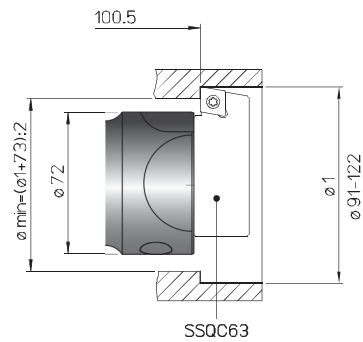
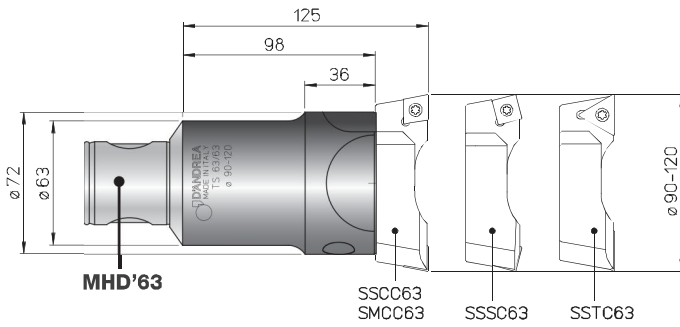
- DOUBLE-BIT HEADS
- ZWEISCHNEIDERBOHRKÖPFE
- CABEZALES DE DOS CUCHILLAS
- TÊTES À DOUBLE TRANCHANT
- TESTINE BITAGLIANTI



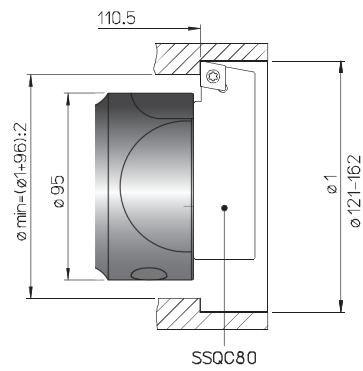
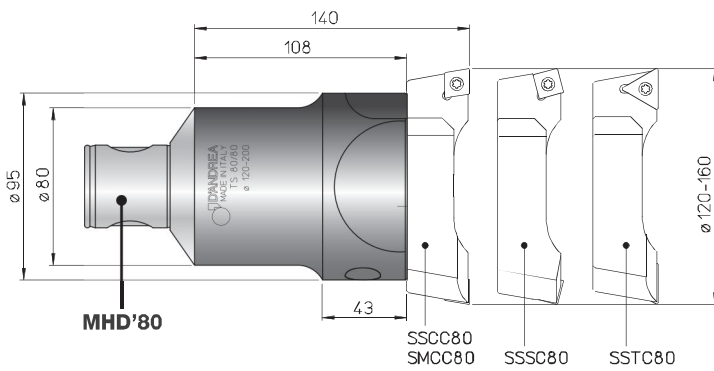
**TS 50/50**  
Ø 68 ~ 90



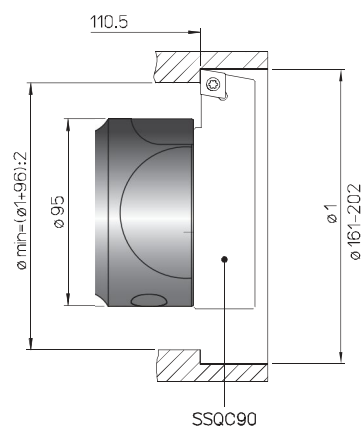
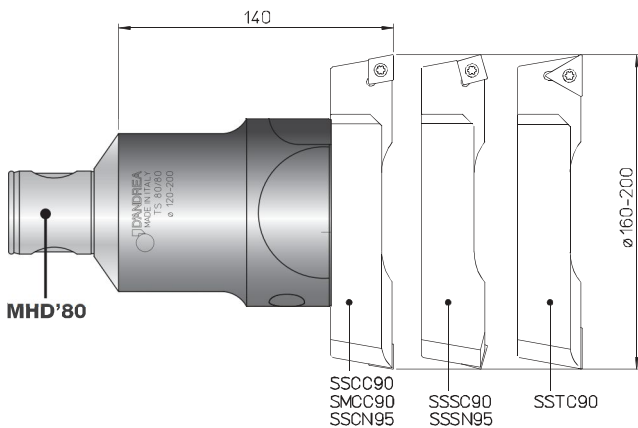
**TS 50/63**  
Ø 90 ~ 120



**TS 63/63**  
Ø 90 ~ 120



**TS 80/80**  
Ø 120 ~ 160



Ø 160 ~ 200

