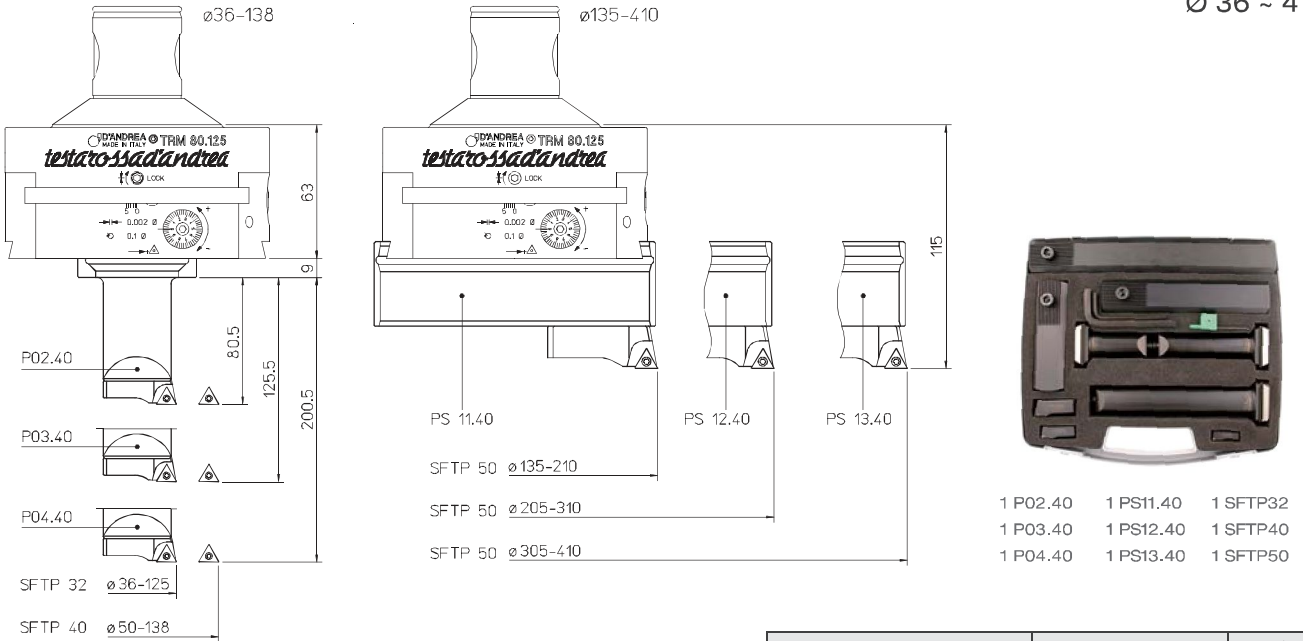


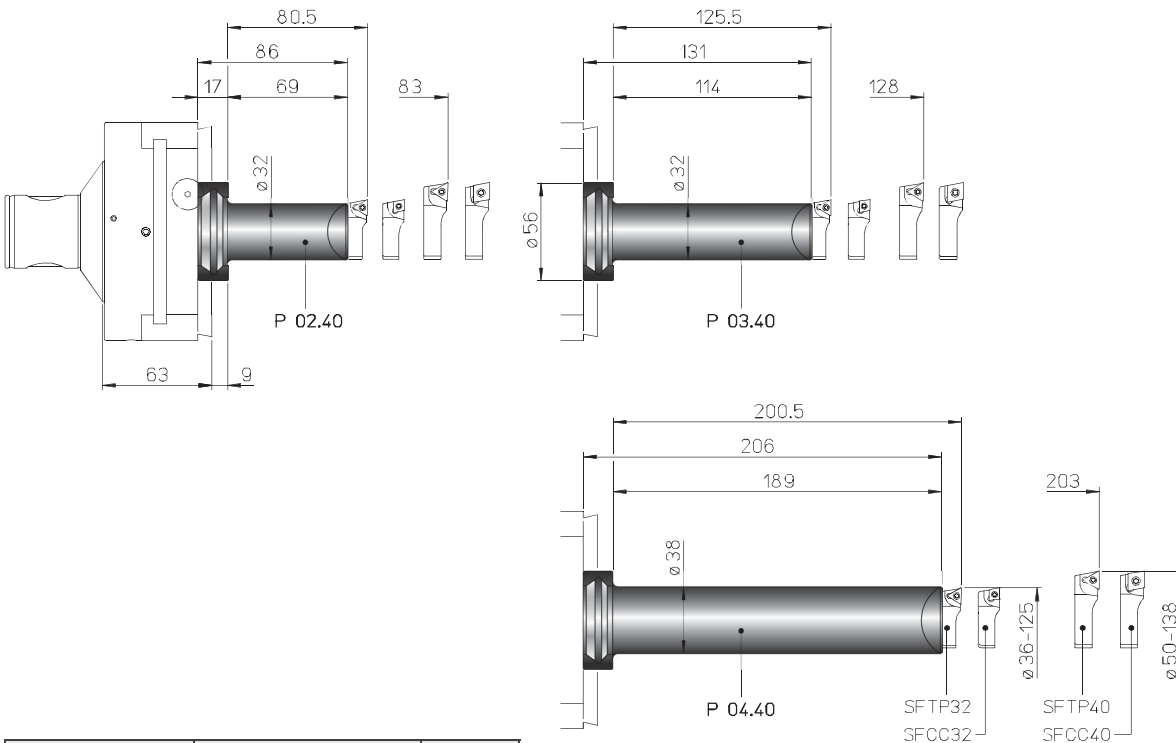
KIT K03
Ø 36 ~ 410



- 1 P02.40 1 PS11.40 1 SFTP32
- 1 P03.40 1 PS12.40 1 SFTP40
- 1 P04.40 1 PS13.40 1 SFTP50

REF.	CODE	Ø
KIT K03 TRM 80/125	655012500030	36 ~ 410

P
Ø 36 ~ 138



REF.	CODE	Kg.
P02.40	431040320700	0.7
P03.40	431040321150	1
P04.40	431040321900	2