

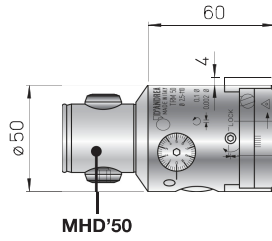
D'ANDREA MODULHARD'ANDREA

TRM 50 Ø 2.5 ~ 108

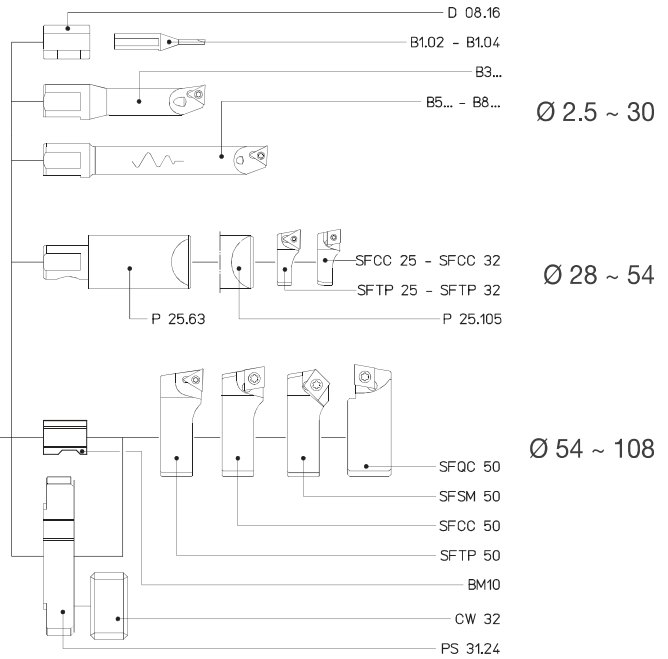
• TESTAROSSA



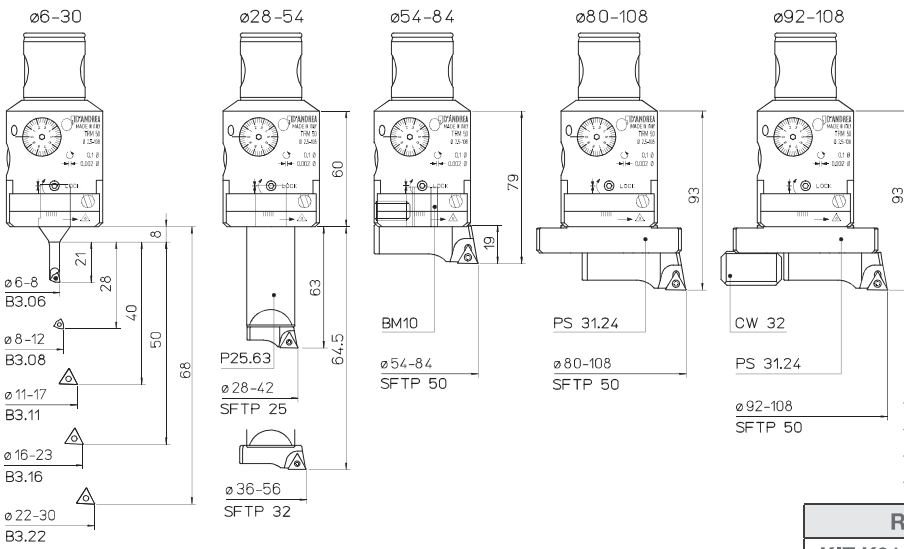
2 µm



MHD'50



REF.	CODE	Kg.
TRM 50	455005000500	1

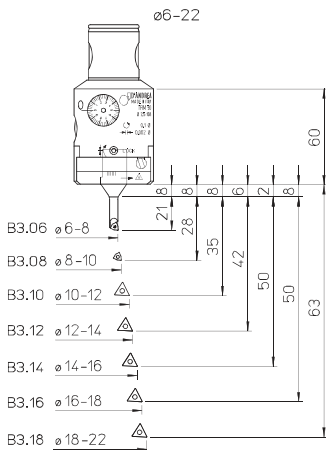


KIT K01
Ø 6 ~ 108



- 1 TRM 50
- 1 P25.63
- 1 BM10
- 1 PS 31.24
- 1 CW 32
- 1 B3.06
- 1 B3.08
- 1 B3.11
- 1 B3.16
- 1 B3.22
- 5 TPGX 090202L DC100
- 1 TPGX 110302L DC100
- 2 WCGT 020102L DC100
- 1 SFTP50

REF.	CODE	Ø
KIT K01 TRM 50	655005010501	6 ~ 108



KIT K00
Ø 6 ~ 22



- 1 TRM50
- 1 B3.06
- 1 B3.08
- 1 B3.10
- 1 B3.12
- 1 B3.18
- 1 B3.16
- 1 B3.14
- 5 TPGX 090202L DC100
- 2 WCGT 020102L DC100

REF.	CODE	Ø
KIT K00 TRM 50	655005010500	6 ~ 22

