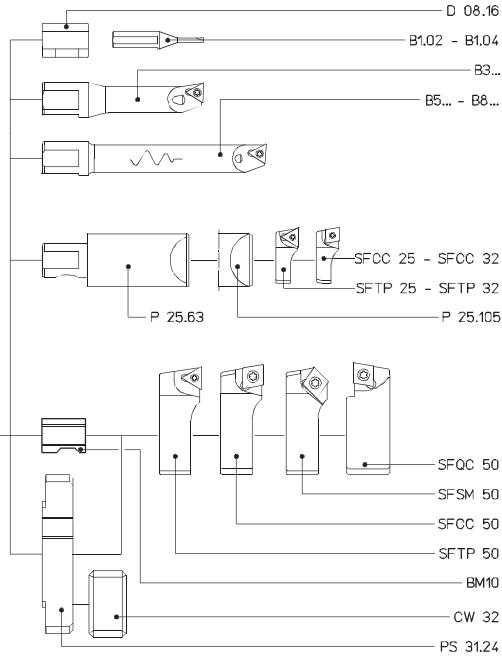
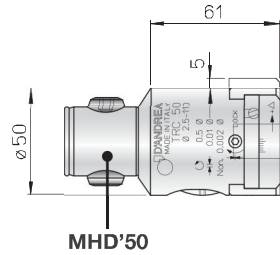


D'ANDREA

MODULHARD'ANDREA



10 µm
nonio
vernier **2 µm**

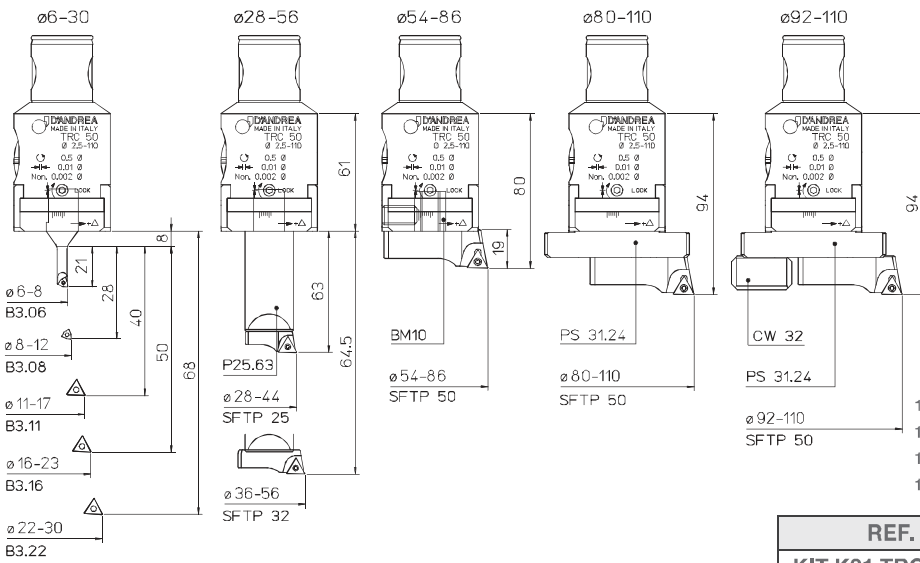


Ø 2.5 ~ 30

Ø 28 ~ 56

Ø 54 ~ 110

REF.	CODE	Kg.
TRC 50	455015000801	1

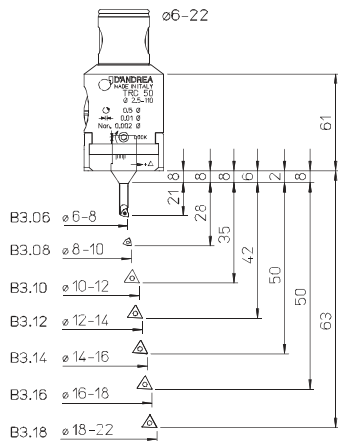


KIT K01
Ø 6 ~ 110



- 1 TRC 50
- 1 P25.63
- 1 BM10
- 1 PS 31.24
- 1 CW 32
- 1 B3.06
- 1 B3.22
- 1 SFTP25
- 1 SFTP50
- 1 TPGX 090202L DC100
- 1 TPGX 110302L DC100
- 2 WCGT 020102L DC100

REF.	CODE	Ø
KIT K01 TRC 50	655015010502	6 ~ 110



KIT K00
Ø 6 ~ 22



- 1 TRC50
- 1 B3.06
- 1 B3.08
- 1 B3.10
- 1 B3.12
- 1 B3.14
- 1 B3.16
- 1 B3.18
- 5 TPGX 090202L DC100
- 2 WCGT 020102L DC100

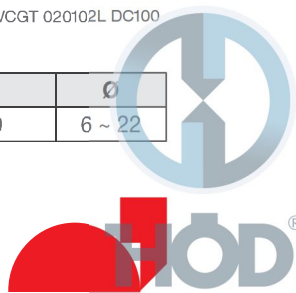
REF.	CODE	Ø
KIT K00 TRC 50	655015010500	6 ~ 22

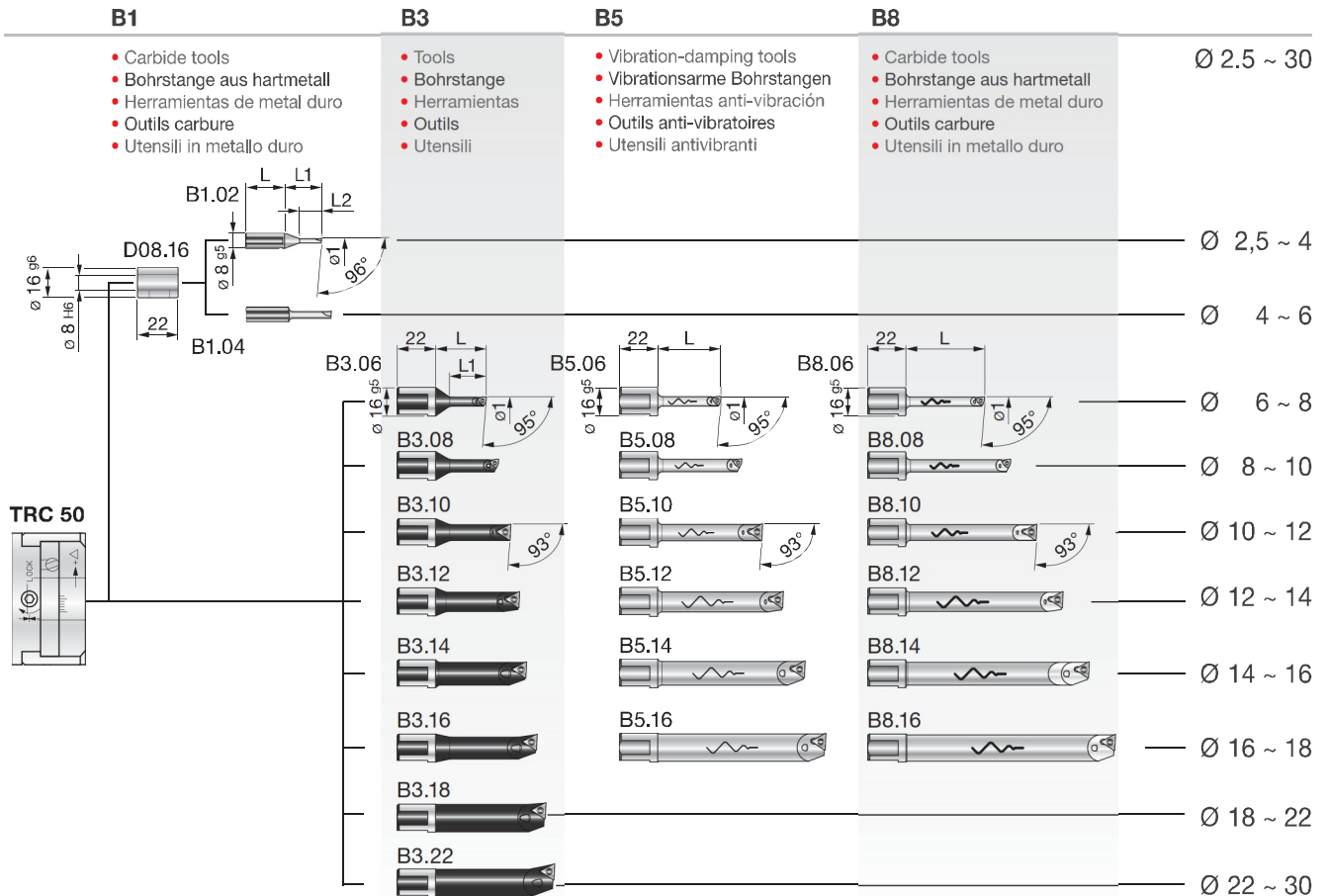
119 INFO

120

116

241





REF.	CODE	Kg.
D08.16	200560116082	0.02

REF.	CODE	Ø1	L	L1	L2	Kg.
B1.02	572010502001	2.5 ~ 4	22	21	12.5	0.02
B1.04	572010504001	4 ~ 6	24	24	-	

REF.	CODE	Ø1	L	L1	⊖	⊖	⊖	⊖	Kg.
B3.06	572010506001	6 ~ 8	29	21	WCGT 0201..	-	TS 21	TORX T06	0.035
B3.08	572010508001	8 ~ 10	36	28			TS 211		0.04
B3.10	572010510001	10 ~ 12	43	35	-	TPGX 0902..	CS 250 T	TORX T08	0.05
B3.11	572010511001	11 ~ 13	48	40					0.055
B3.12	572010512001	12 ~ 14	48	42					0.06
B3.14	572010514001	14 ~ 16	52	50					0.07
B3.16	572010516001	16 ~ 18	58	-	-	-	-	-	0.1
B3.18	572010518001	18 ~ 22	63	-					
B3.22	572010522001	22 ~ 30	68	-					

B5.06	572010506105	6 ~ 8	36	-	WCGT 0201..	-	TS 21	TORX T06	0.075
B5.08	572010508105	8 ~ 10	48				TS 211		0.09
B5.10	572010510105	10 ~ 12	60	-	TPGX 0902..	CS 250 T	TORX T08	0.1	
B5.12	572010512105	12 ~ 14	72					0.2	
B5.14	572010514105	14 ~ 16	84					0.3	
B5.16	572010516105	16 ~ 18	96					0.3	

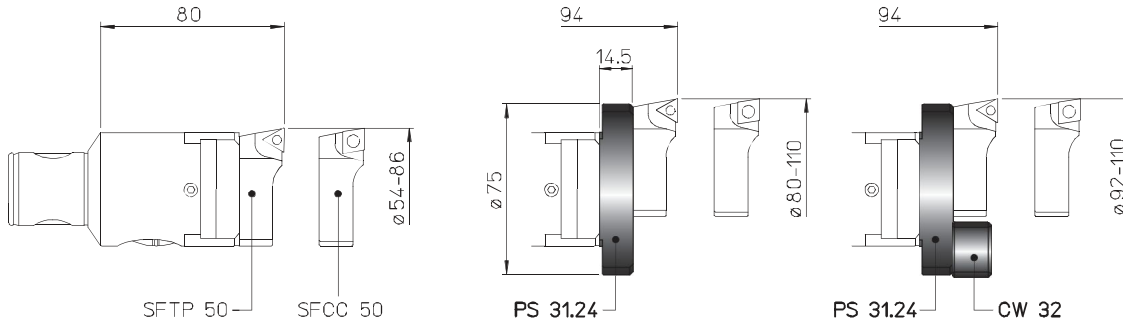
B8.06	572010506108	6 ~ 8	45	-	WCGT 0201..	-	TS 21	TORX T06	0.065
B8.08	572010508108	8 ~ 10	60				TS 211		0.08
B8.10	572010510108	10 ~ 12	75	-	TPGX 0902..	CS 250 T	TORX T08	0.1	
B8.12	572010512108	12 ~ 14	90					0.2	
B8.14	572010514108	14 ~ 16	105					0.3	
B8.16	572010516108	16 ~ 18	120					0.3	



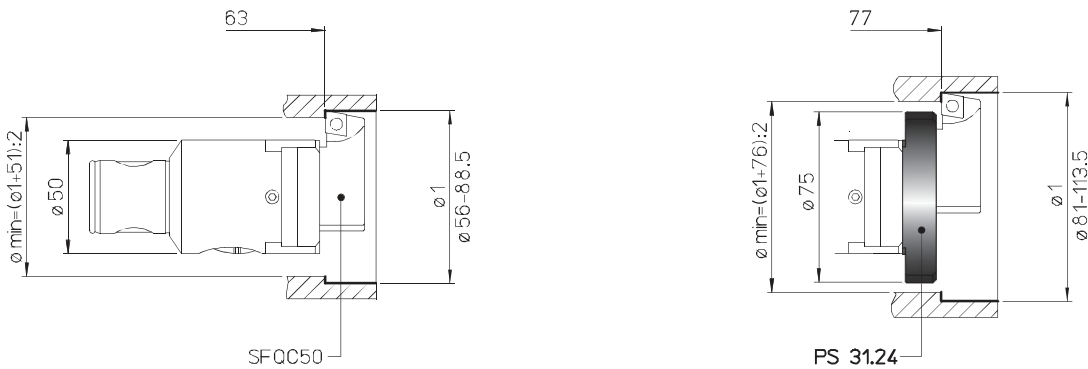
TRC 50 Ø 52 ~ 113.5

- TOOLHOLDERS FOR TESTAROSSA
- WERKZEUGE FÜR TESTAROSSA
- PORTAHERRAMIENTAS PARA TESTAROSSA
- PORTE-OUTILS POUR TESTAROSSA
- PORTAUTENSILI PER TESTAROSSA

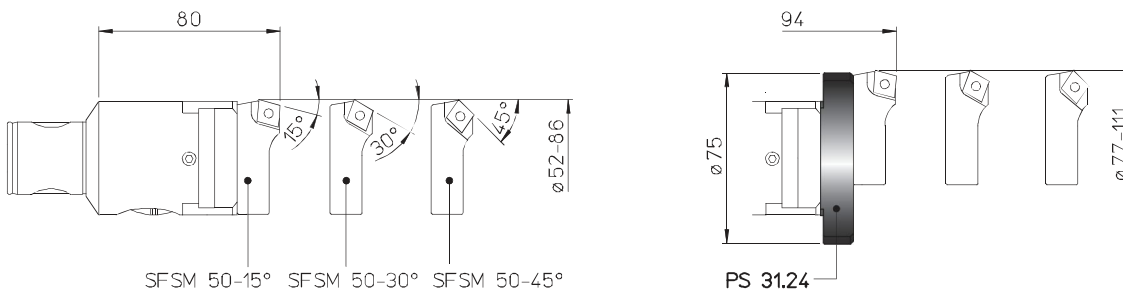
PS 31
CW 32
Ø 54 ~ 110



PS 31
Ø 56 ~ 113.5



PS 31
Ø 52 ~ 111

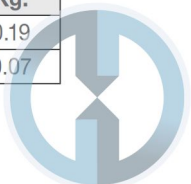


REF.	CODE	Kg.
PS 31.24 TR..50	433024140751	0.19
CW 32	392011003201	0.07

119

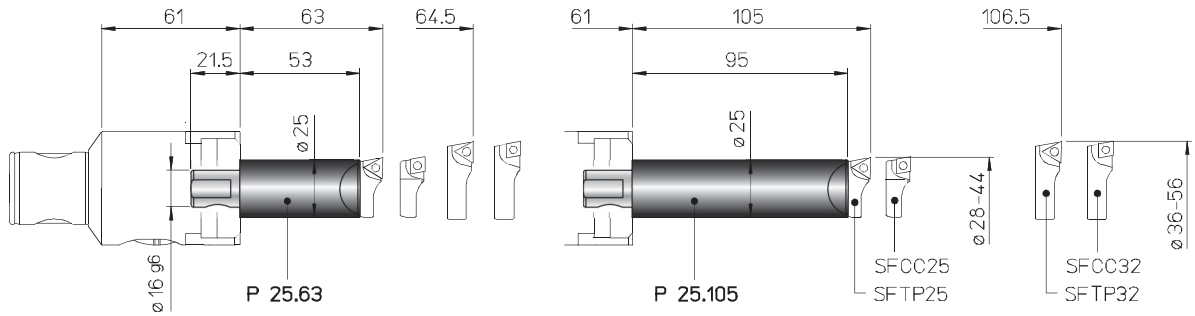


125



- TOOLHOLDERS FOR TESTAROSSA
- WERKZEUGE FÜR TESTAROSSA
- PORTAHERRAMIENTAS PARA TESTAROSSA
- PORTE-OUTILS POUR TESTAROSSA
- PORTAUTENSILI PER TESTAROSSA

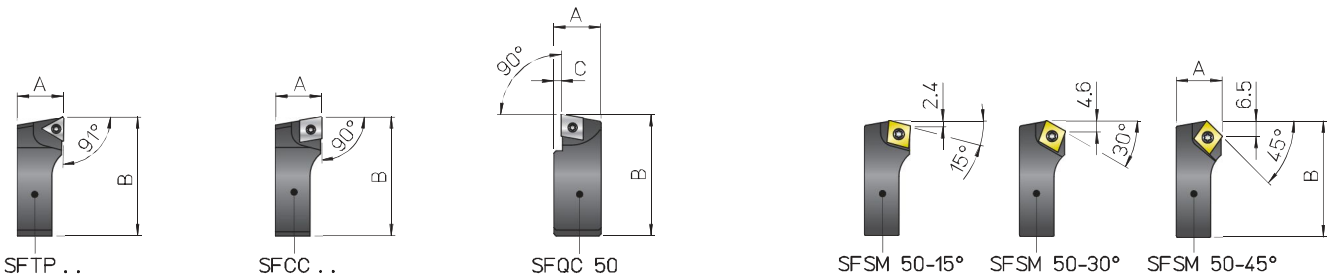
P 25
Ø 28 ~ 56



REF.	CODE	Kg.
P25.63 TR...	435116250631	0.5
P25.105 TR...	435116251051	0.8

- BIT-HOLDERS FOR TESTAROSSA
- PLATTENHALTER FÜR TESTAROSSA
- PORTA-PLAQUITAS PARA TESTAROSSA
- PORTE-PLAQUETTES POUR TESTAROSSA
- SEGGI PER TESTAROSSA

SF



REF.	CODE	A	B	C					Kg.
SFTP 25	470500525001	10	26.5	-	TPGX 0902..	-	CS 250T	TORX T08	0.01
SFTP 32	470500532001	11.5	34.5	-	-	-	-	-	0.02
SFTP 50	470500550001	19	52	-	TPGX 1103..	-	CS 300890T	-	0.08
SFCC 25	470500525002	10	26.5	-	-	CCGT 0602..	TS 25	TORX T08	0.01
SFCC 32	470500532002	11.5	34.5	-	-	-	-	-	0.02
SFCC 50	470500550002	19	52	-	-	CCGT 09T3..	TS 4	TORX T15	0.08
SFQC 50	470500550062	20.5	53	3	-	CCMT 09T3..	TS 4	TORXT15	0.1
SFSM 50-15°	470500550011	19	50.5	-	-	CCMT 09T3..	TS 4	TORXT15	0.07
SFSM 50-30°	470500550013								
SFSM 50-45°	470500550015								