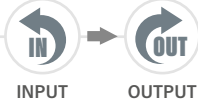


PESO  
WEIGHT



22 KG

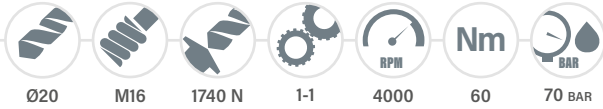
ROTAZIONE  
ROTATION



INPUT

OUTPUT

CARATTERISTICHE  
FEATURES



Ø20

M16

1740 N

1-1

4000

Nm

60

70 BAR

MANDRINI  
DISPONIBILI  
AVAILABLE  
SPINDLES



ER40  
DIN6499-ER

Ø20-Ø25  
WELDON  
WHISTLE-NOTCH

HSK50  
DIN69893-HSK

ABS50  
LICENZA KOMET®  
KOMET LICENCE®



# TAV 20.PD

TESTA AD ANGOLO - ANGLE HEAD

FH

BAH

TA.CP

TA

MOX

HT

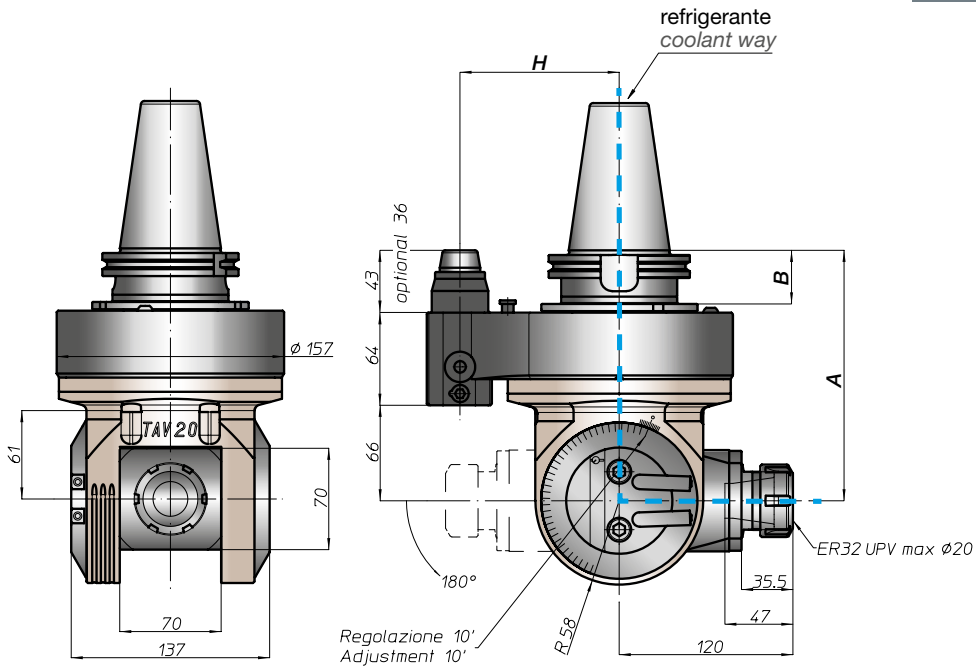
4-90

VH

TSI/TSX

T

MT-TC-TC3



CONO  
SHANK



DIN9871



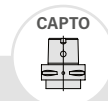
ANSIB5.50



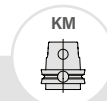
BT



HSK



ISO26623



KM



DIN2080



ANSIB5.18

SIZE

50

50

50

80

100

C8

100

A

173

173

181

182

177

173

B

35

35

45

46

41

H STANDARD

110

110

110

110

110

110

H OPTIONAL

For DIN9871, ANSIB5.50 and BT, dual contact as option