

FH

BAH

TA.CP

TA

MOX

HT

4-17

VH

TSI/TSX

T

MT-TC-TC3



TAR06.P

TESTA AD ANGOLO - ANGLE HEAD



7,2 KG



9,6 KG

PESO
WEIGHT

INPUT



OUTPUT

ROTAZIONE
ROTATION

Ø6



M5



150 N



1-1



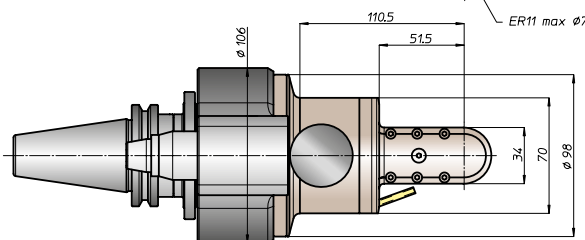
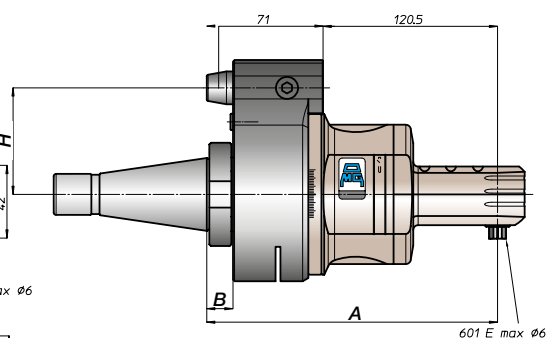
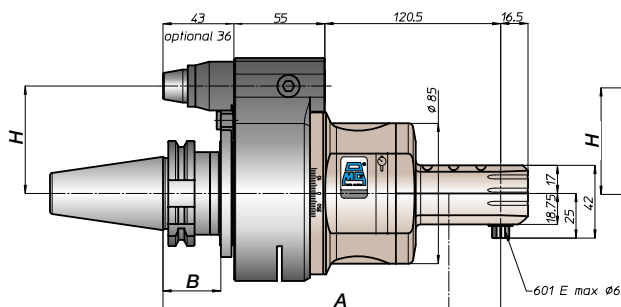
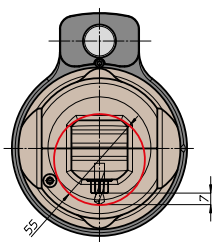
8000



8

CARATTERISTICHE
FEATURES

Ø6
WELDON
WHISTLE-NOTCH

MANDRINI
DISPONIBILI
AVAILABLE
SPINDLESCONO
SHANK

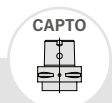
DIN69871



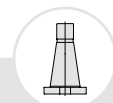
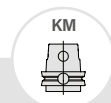
ANSIB5.50



DIN69893



ISO26623



DIN2080



ANSIB5.18

SIZE

30 40 45 50 40 50 40 50 63 80 100

C5 C6 C8

63 80 100

40 50 40 50

A

218,5 218,5 218,5 226,5 227,5 222,5 218,5 188,5 191,5 188,5 191,5

B

35 35 35 45 44 46 39 41 13 16 13 16

H STANDARD

65 80 65 80 65 80 65 80 65 80 65 80 65 80

H OPTIONAL

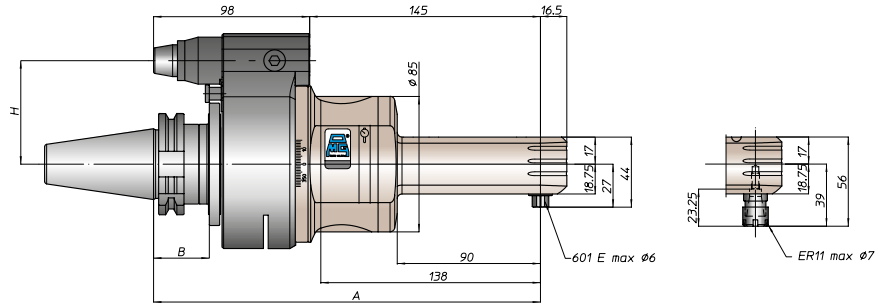
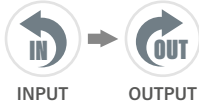
110 110 110 110 110 110 110 110

For DIN69871, ANSIB5.50 and BT, dual contact as option



TAR06.P-L90

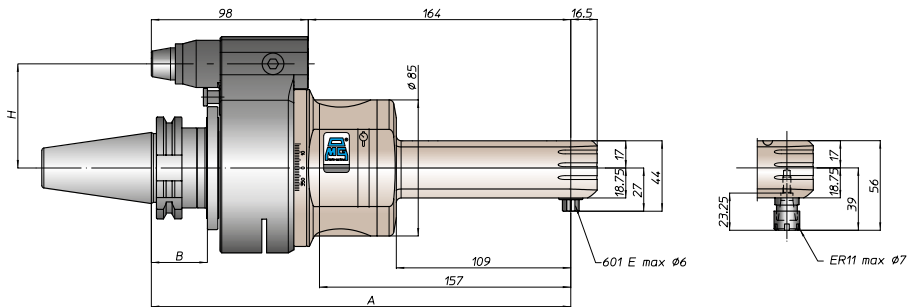
ROTAZIONE
ROTATION



CONO SHANK	DIN69871				CAT ANSIB5.50		BT		HSK DIN69893			CAPTO ISO26623			KM		DIN2080		NMTB ANSIB5.18		
SIZE	30	40	45	50	40	50	40	50	63	80	100	C5	C6	C8	63	80	100	40	50	40	50
A	257				257		257	265	266			261			257		227	230	227	230	

TAR06.P-L109

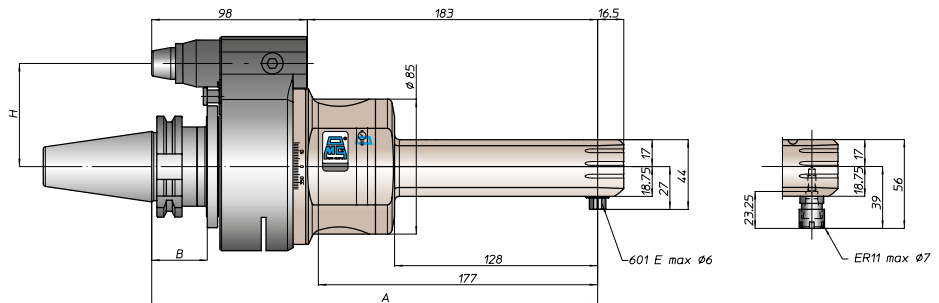
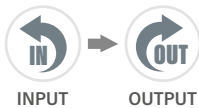
ROTAZIONE
ROTATION



CONO SHANK	DIN69871				CAT ANSIB5.50		BT		HSK DIN69893			CAPTO ISO26623			KM		DIN2080		NMTB ANSIB5.18		
SIZE	30	40	45	50	40	50	40	50	63	80	100	C5	C6	C8	63	80	100	40	50	40	50
A	276				276		276	284	285			280			276		246	249	246	249	

TAR06.P-L128

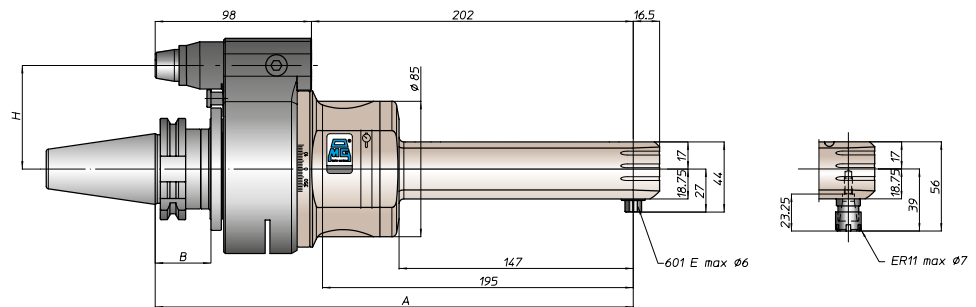
ROTAZIONE
ROTATION



CONO SHANK	DIN69871				CAT ANSIB5.50		BT		HSK DIN69893			CAPTO ISO26623			KM		DIN2080		NMTB ANSIB5.18		
SIZE	30	40	45	50	40	50	40	50	63	80	100	C5	C6	C8	63	80	100	40	50	40	50
A	295				295		295	303	304			299			295		265	268	265	268	

TAR06.P-L147

ROTAZIONE
ROTATION



CONO SHANK	DIN69871				CAT ANSIB5.50		BT		HSK DIN69893			CAPTO ISO26623			KM		DIN2080		NMTB ANSIB5.18		
SIZE	30	40	45	50	40	50	40	50	63	80	100	C5	C6	C8	63	80	100	40	50	40	50
A	314				314		314	322	323			318			314		284	287	284	287	

