

FH

BAH

TA.CP

TA

MOX

HT

4-13

VH

TSI/TSX

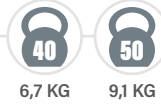
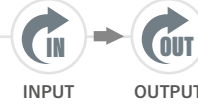
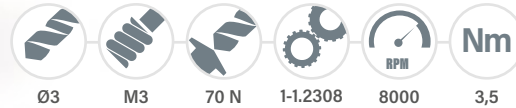
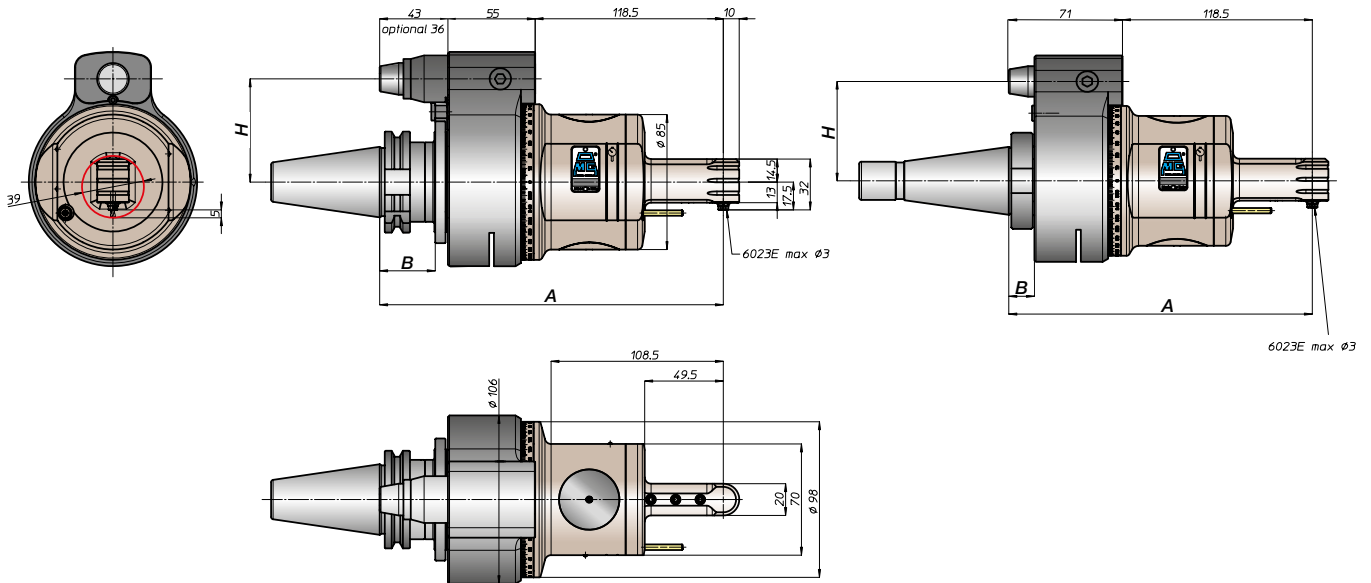
T

MT-TC-TC3



TAR03.P

TESTA AD ANGOLO - ANGLE HEAD

PESO
WEIGHTROTAZIONE
ROTATIONCARATTERISTICHE
FEATURESCONO
SHANK

DIN69871



ANSIB5.50

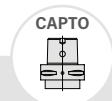


BT



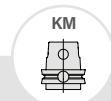
HSK

DIN69893

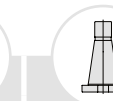


CAPTO

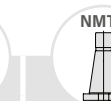
ISO26623



KM



DIN2080



NMTB

ANSIB5.18

SIZE

30 40 45 50 40 50 40 50 63 80 100

C5 C6 C8 63 80 100

40 50 40 50 40 50

A

216,5 216,5 216,5 224,5 225,5 220,5 216,5 186,5 189,5 188,5 191,5

B

35 35 35 45 44 46 39 41 13 16 13 16

H STANDARD

65 80 65 80 65 80 65 80 65 80 65 80 65 80

H OPTIONAL

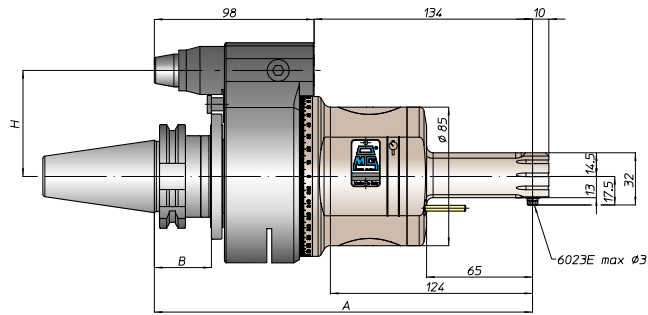
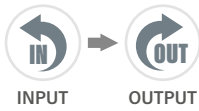
110 110 110 110 110 110 110 110

For DIN69871, ANSIB5.50 and BT, dual contact as option



TAR03.P-L65

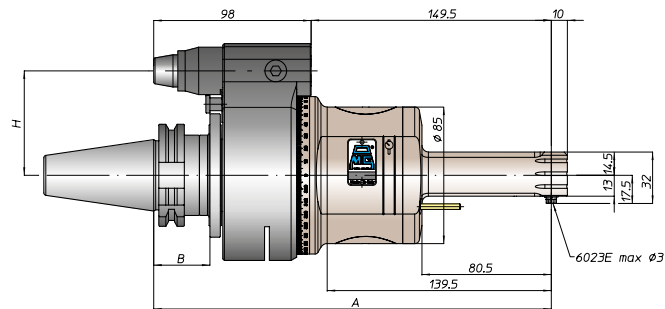
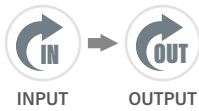
ROTAZIONE
ROTATION



CONO SHANK	DIN69871				CAT ANSIB5.50		BT		HSK DIN69893			CAPTO ISO26623			KM		DIN2080		NMTB ANSIB5.18		
SIZE	30	40	45	50	40	50	40	50	63	80	100	C5	C6	C8	63	80	100	40	50	40	50
A	232				232		232	240	241			236			232		202	205	202	205	

TAR03.P-L80

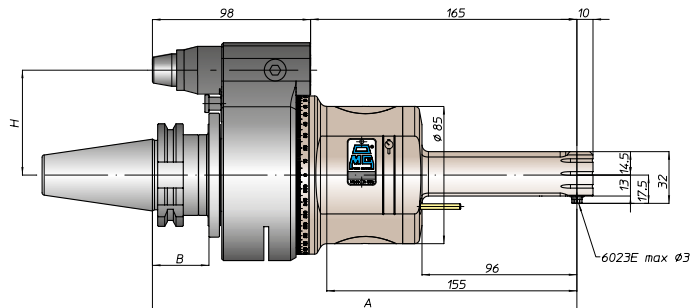
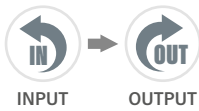
ROTAZIONE
ROTATION



CONO SHANK	DIN69871				CAT ANSIB5.50		BT		HSK DIN69893			CAPTO ISO26623			KM		DIN2080		NMTB ANSIB5.18		
SIZE	30	40	45	50	40	50	40	50	63	80	100	C5	C6	C8	63	80	100	40	50	40	50
A	247				247		247	255	256			251			247		217	220	217	220	

TAR03.P-L96

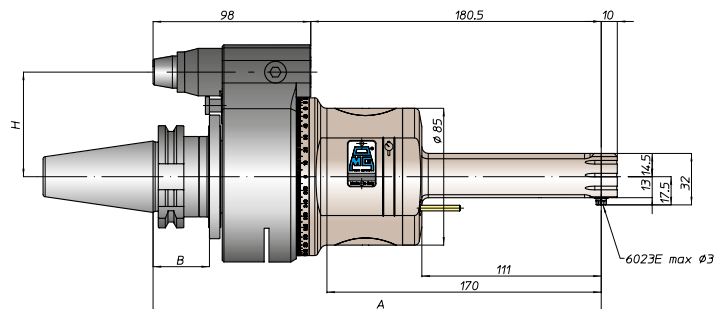
ROTAZIONE
ROTATION



CONO SHANK	DIN69871				CAT ANSIB5.50		BT		HSK DIN69893			CAPTO ISO26623			KM		DIN2080		NMTB ANSIB5.18		
SIZE	30	40	45	50	40	50	40	50	63	80	100	C5	C6	C8	63	80	100	40	50	40	50
A	263				293		293	271	272			267			263		233	236	233	236	

TAR03.P-L111

ROTAZIONE
ROTATION



CONO SHANK	DIN69871				CAT ANSIB5.50		BT		HSK DIN69893			CAPTO ISO26623			KM		DIN2080		NMTB ANSIB5.18		
SIZE	30	40	45	50	40	50	40	50	63	80	100	C5	C6	C8	63	80	100	40	50	40	50
A	278				278		278	286	287			282			278		248	251	248	251	

