

FH

BAH

TA.CP

TA

MOX

HT

4-11

VH

TSI/TSX

T

MT-TC-TC3



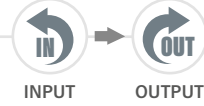
TAR02.P

TESTA AD ANGOLO - ANGLE HEAD



6,6 KG

9 KG

PESO
WEIGHT

INPUT

OUTPUT

ROTAZIONE
ROTATION

Ø2

M2

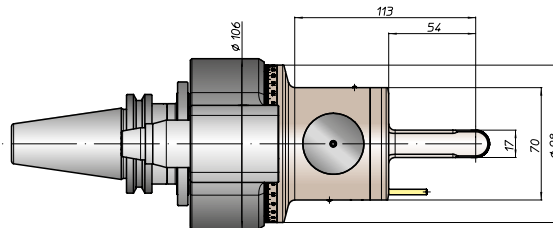
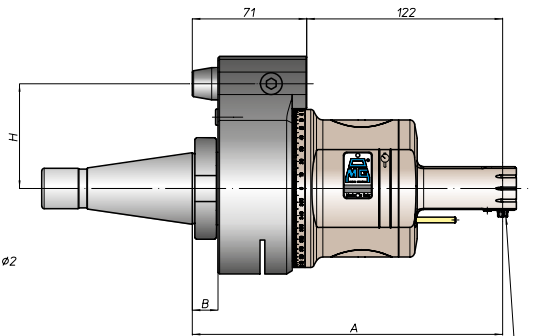
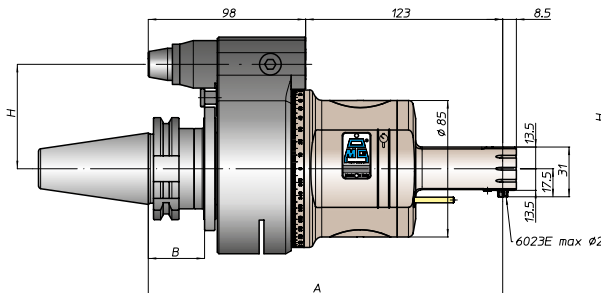
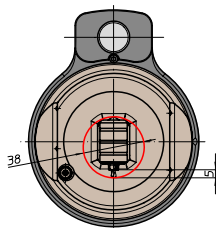
40 N

1-1.333

8000

Nm

2,5

CARATTERISTICHE
FEATURESCONO
SHANK

DIN69871



ANSIB5.50

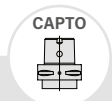


BT



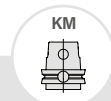
HSK

DIN69893

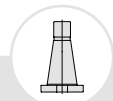


CAPTO

ISO26623



KM



DIN2080



NMTB

ANSIB5.18

SIZE

30 40 45 50 40 50 40 50 63 80 100

C5 C6 C8

63 80 100

40 50 40 50

A

221 221 221 229 230 225 221 191 194 191 194

B

35 35 35 45 44 46 39 41 13 16 13 16

H STANDARD

65 80 65 80 65 80 65 80 65 80 65 80 65 80

H OPTIONAL

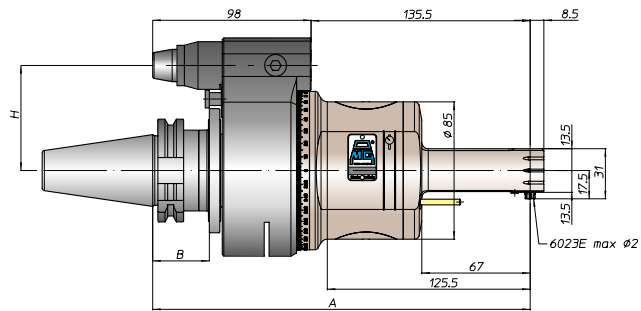
110 110 110 110 110 110 110 110

For DIN69871, ANSIB5.50 and BT, dual contact as option



TAR02.P-L67

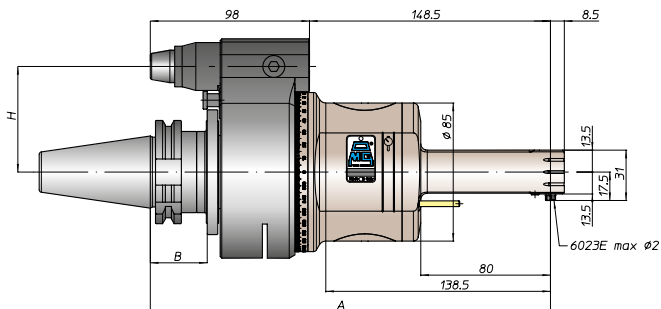
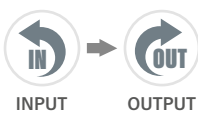
ROTAZIONE
ROTATION



CONO SHANK	DIN69871				CAT ANSIB5.50		BT		HSK DIN69893			CAPTO ISO26623			KM			DIN2080		NMTB ANSIB5.18	
SIZE	30	40	45	50	40	50	40	50	63	80	100	C5	C6	C8	63	80	100	40	50	40	50
A	233,5				233,5		233,5	241,5	242,5			237,5			233,5			203,5	206,5	203,5	206,5

TAR02.P-L80

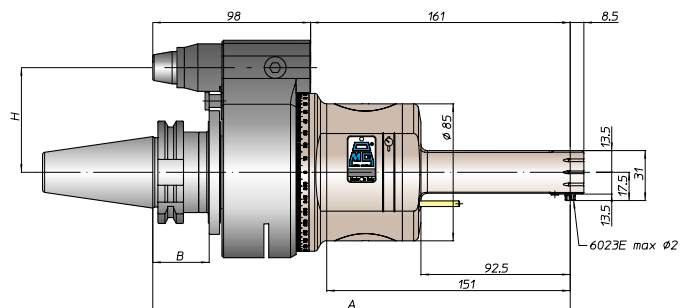
ROTAZIONE
ROTATION



CONO SHANK	DIN69871				CAT ANSIB5.50		BT		HSK DIN69893			CAPTO ISO26623			KM			DIN2080		NMTB ANSIB5.18	
SIZE	30	40	45	50	40	50	40	50	63	80	100	C5	C6	C8	63	80	100	40	50	40	50
A	246,5				246,5		246,5	254,5	255,5			250,5			246,5			276,5	273,5	276,5	273,5

TAR02.P-L92

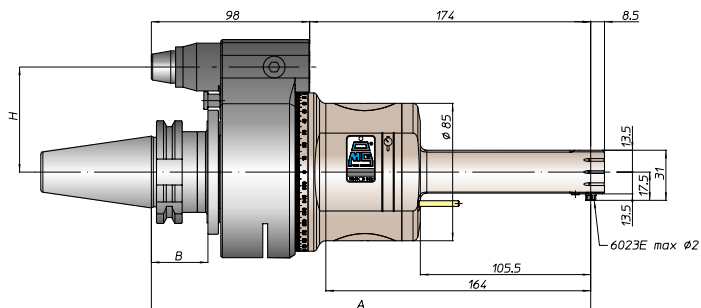
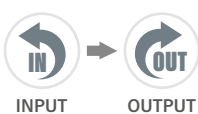
ROTAZIONE
ROTATION



CONO SHANK	DIN69871				CAT ANSIB5.50		BT		HSK DIN69893			CAPTO ISO26623			KM			DIN2080		NMTB ANSIB5.18	
SIZE	30	40	45	50	40	50	40	50	63	80	100	C5	C6	C8	63	80	100	40	50	40	50
A	259				259		259	267	268			263			259			289	286	289	286

TAR02.P-L105

ROTAZIONE
ROTATION



CONO SHANK	DIN69871				CAT ANSIB5.50		BT		HSK DIN69893			CAPTO ISO26623			KM			DIN2080		NMTB ANSIB5.18	
SIZE	30	40	45	50	40	50	40	50	63	80	100	C5	C6	C8	63	80	100	40	50	40	50
A	272				272		272	280	281			276			272			302	299	302	299

