

FH

BAH

TA.CP

TA

MOX

HT

4-73

VH

TSI/TSX

T

MT-TC-TC3



TAO26.P

TESTA AD ANGOLO - ANGLE HEAD



24 KG

PESO
WEIGHT

INPUT



OUTPUT

ROTAZIONE
ROTATION

Ø26



M20



1590 N



1-1



3000



150

CARATTERISTICHE
FEATURES

Ø27-Ø32
PORTA-FRESSE
FACE MILL ARBOR



Ø25-Ø32
WELDON
LE-NOTCH



HSK63
DIN69893-HSK



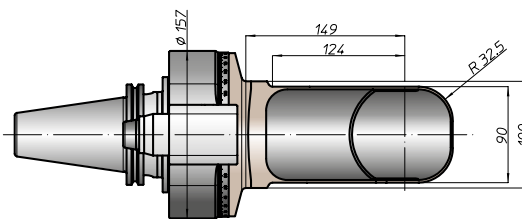
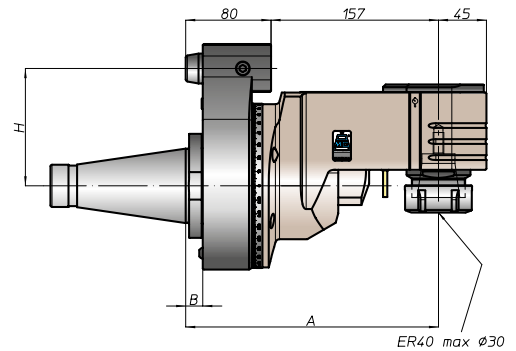
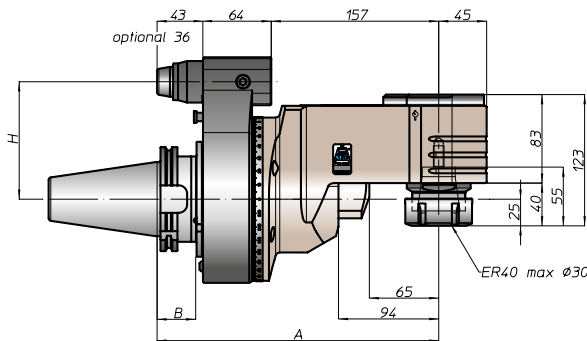
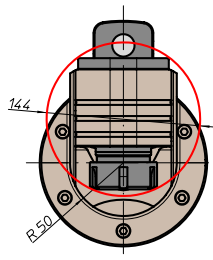
C4
COROMANT CAPTO®



ABS63
LICENZA KOMET®
KOMET LICENCE®



30-40
ISO/DIN2079
NMTB-BT

MANDRINI
DISPONIBILI
AVAILABLE
SPINDLESCONO
SHANK

DIN69871

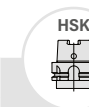


ANSIB5.50



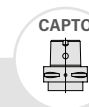
BT

50



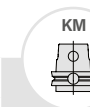
HSK

DIN69893



CAPTO

ISO26623



KM

100



DIN2080

50



NMTB

ANSIB5.18

50

SIZE

50

50

50

100

C8

100

50

50

A

264

264

272

273

264

270

243

243

B

36,5

36,5

44,5

45,5

41

16

16

16

H STANDARD

110

110

110

110

110

110

110

110

H OPTIONAL

For DIN69871, ANSIB5.50 and BT, dual contact as option

