

FH

BAH

TA.CP

TA

MOX

HT

4-69

VH

TSI/TSX

T

MT-TC-TC3



TA016.P

TESTA AD ANGOLO - ANGLE HEAD



14 KG

PESO
WEIGHT

INPUT



OUTPUT

ROTAZIONE
ROTATION

Ø16



M12



810 N



1-1



4000



90

CARATTERISTICHE
FEATURES

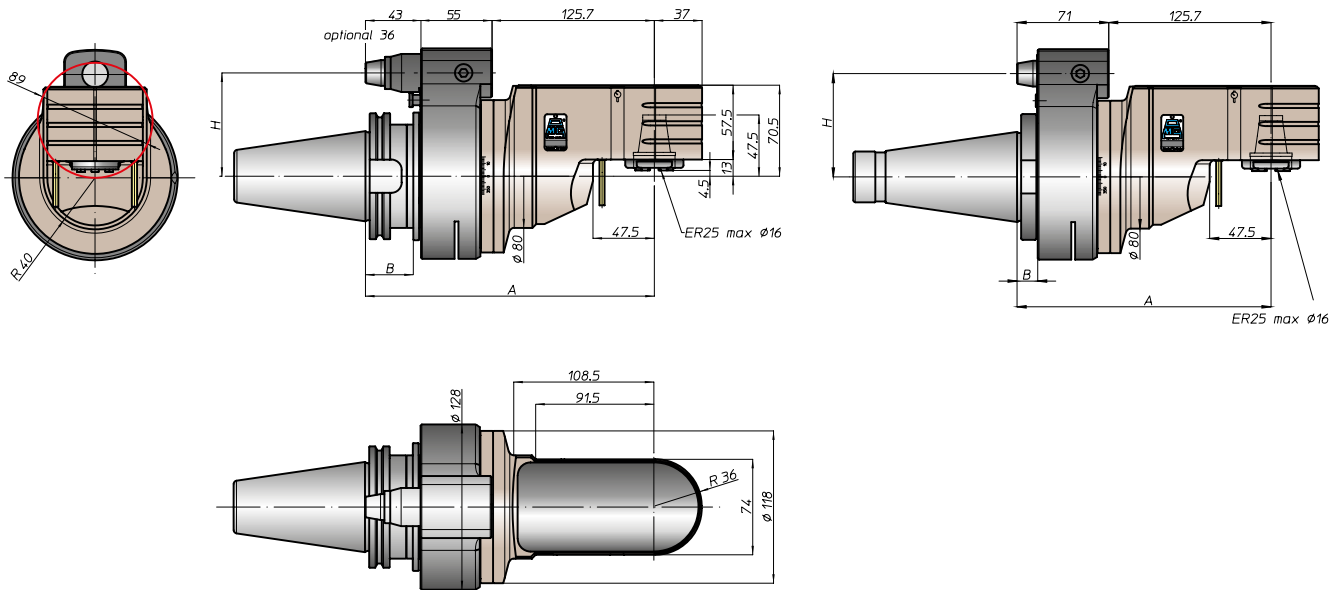
Ø16-Ø22-Ø27
PORTAFRESE
FACE MILL ARBOR



Ø16
WELDON
WHISTLE-NOTCH



HSK40
DIN69893-HSK

MANDRINI
DISPONIBILI
AVAILABLE
SPINDLESCONO
SHANK

DIN69871



ANSIB5.50



BT

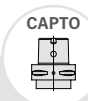
50



HSK

DIN69893

80 | 100



CAPTO

ISO26623

C8



KM

80 | 100



DIN2080

50



NMTB

ANSIB5.18

50

SIZE

45

50

50

50

80

100

C8

80

100

50

50

A

223,5

223,5

231,5

232,5

227,5

223,5

199,5

199,5

B

35

35

45

46

41

16

16

H STANDARD

80

80

80

80

80

80

80

80

H OPTIONAL

110

110

110

110

110

110

110

110

For DIN69871, ANSIB5.50 and BT, dual contact as option

