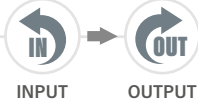


PESO
WEIGHT



19 KG

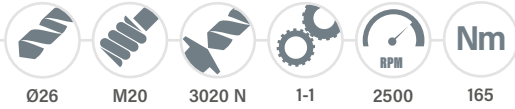
ROTAZIONE
ROTATION



INPUT

OUTPUT

CARATTERISTICHE
FEATURES



Ø26

M20

3020 N

1-1

2500

Nm

165

MANDRINI
DISPONIBILI
AVAILABLE
SPINDLES



ER50

DIN6499-ER

Ø16-Ø27-Ø32-Ø40

PORTA-FRESE
FACE MILL ARBOR

Ø32

WELDON
WHISTLE-NOTCH

HSK63

DIN69893-HSK

C4-C5-C6

COROMANT CAPTO®

ABS50

LICENZA KOMET®
KOMET LICENCES®



TAIL26

TESTA AD ANGOLO - ANGLE HEAD

FH

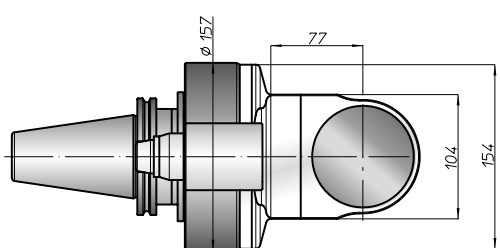
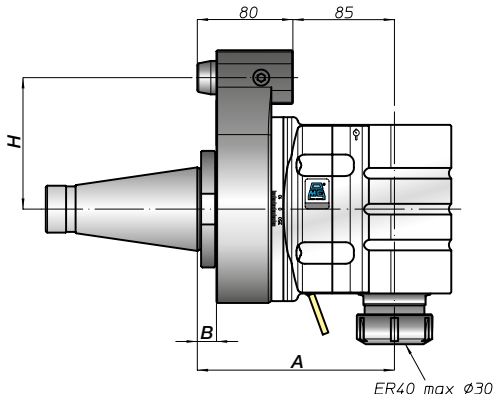
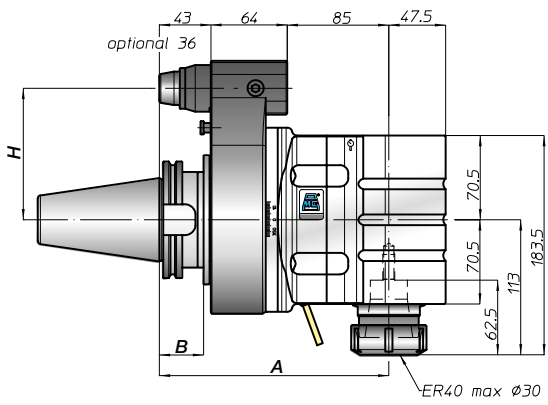
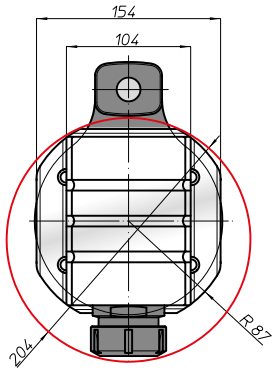
BAH

TA.CP

TA

MOX

HT



4-46

VH

TSI/TSX

T

MT-TC-TC3

CONO
SHANK



DIN9871



ANSIB5.50



BT

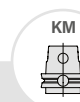


HSK



CAPTO

ISO26623



KM



DIN2080



NMTB

ANSIB5.18

SIZE

45

50

50

50

80

100

C8

100

50

50

A

192

192

200

201

196

192

165

165

B

37

37

45

46

41

16

16

H STANDARD

110

110

110

110

110

110

110

110

H OPTIONAL

For DIN9871, ANSIB5.50 and BT, dual contact as option

