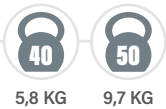


TAL16

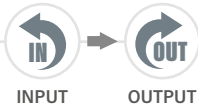
TESTA AD ANGOLO - ANGLE HEAD



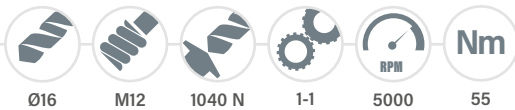
PESO
WEIGHT



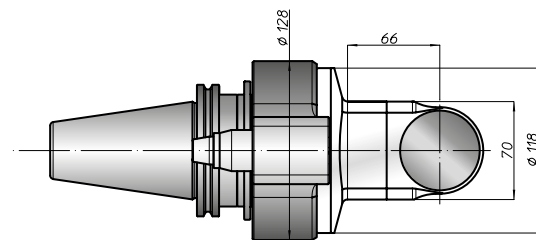
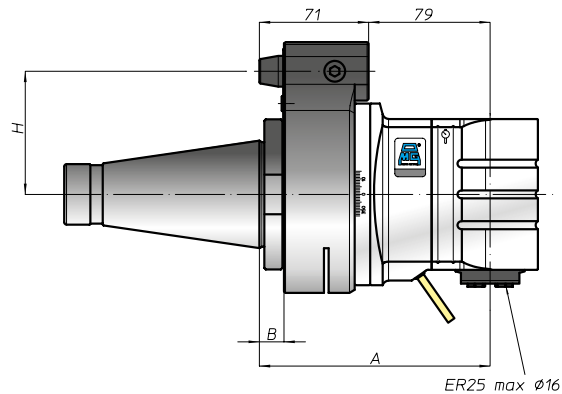
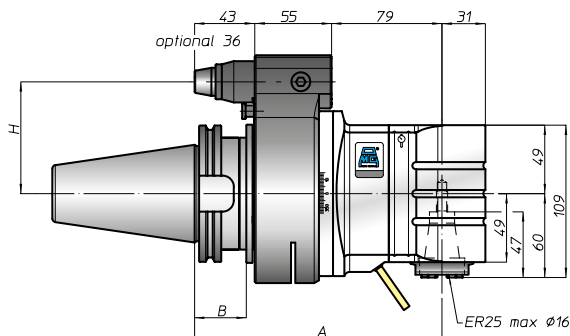
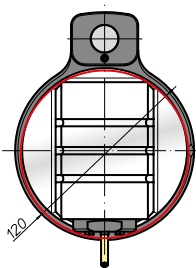
ROTAZIONE
ROTATION



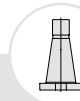
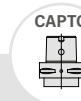
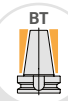
CARATTERISTICHE
FEATURES



MANDRINI
DISPONIBILI
AVAILABLE
SPINDLES



CONO
SHANK



SIZE

A

B

H STANDARD

H OPTIONAL

	ANSIB5.50			CAT		BT		DIN69893			ISO26623			DIN2080		ANSIB5.18				
	40	45	50	40	50	40	50	63	80	100	C5	C6	C8	63	80	100	40	50	40	50
A	172	177	172	177	172	185	181	186	176	181	172	177	147	150	142	150				
B		35		35		35	45	44	46		39	41		13	16	13	16			
H STANDARD	65	80	65	80	65	80	65	80	65	80	65	80	65	80	65	80	65	80	65	80
H OPTIONAL		110		110		110		110		110		110		110		110				

For DIN69871, ANSIB5.50 and BT, dual contact as option