

FH

BAH

TA.CP

TA

MOX

HT

4-37

VH

TSI/TSX

T

MT-TC-TC3

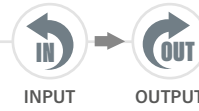


TA30.P

TESTA AD ANGOLO - ANGLE HEAD



PESO
WEIGHT



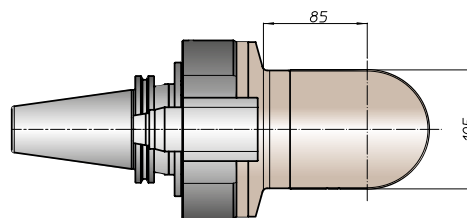
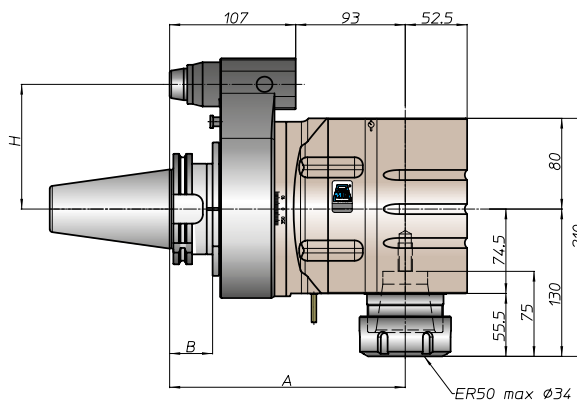
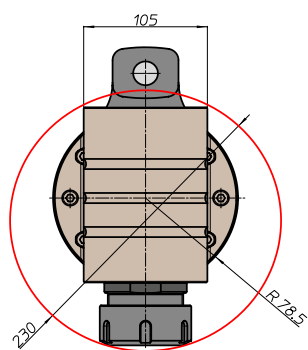
ROTAZIONE
ROTATION



CARATTERISTICHE
FEATURES



MANDRINI
DISPONIBILI
AVAILABLE
SPINDLES



CONO
SHANK



DIN69871



ANSIB5.50

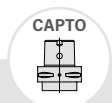


50



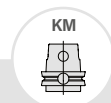
DIN69893

100



ISO26623

C8



DIN2080



ANSIB5.18

SIZE

50

50

50

100

C8

A

200

200

208

209

204

B

36,5

36,5

45

46

41

H STANDARD

110

110

110

110

110

H OPTIONAL

For DIN69871, ANSIB5.50 and BT, dual contact as option

