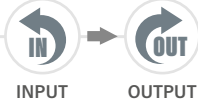


PESO
WEIGHT



22 KG

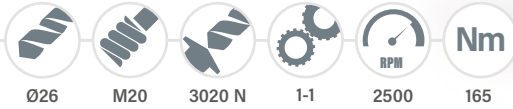
ROTAZIONE
ROTATION



INPUT

OUTPUT

CARATTERISTICHE
FEATURES



Ø26

M20

3020 N

1-1

2500

Nm

165



TA26.40

TESTA AD ANGOLO - ANGLE HEAD

FH

BAH

TA.CP

TA

MOX

HT

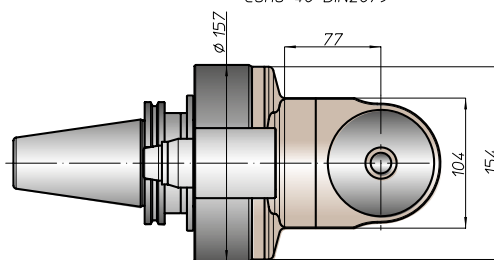
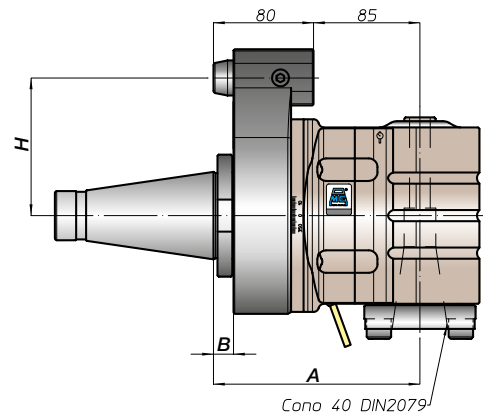
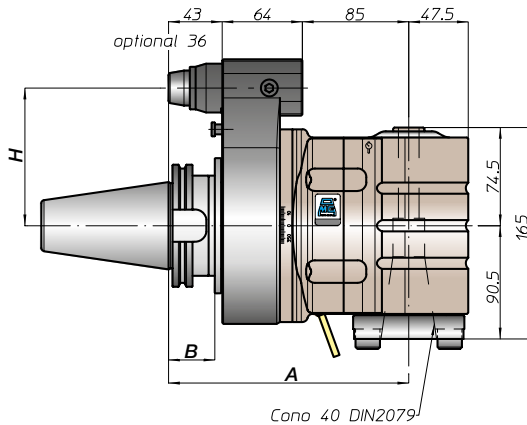
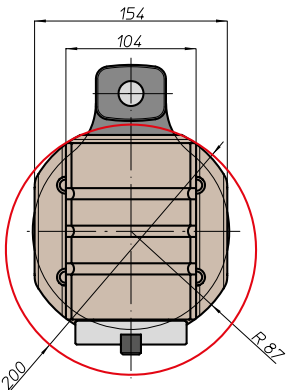
4-36

VH

TSI/TSX

T

MT-TC-TC3



Nota

nel mandrino DIN2079 si possono utilizzare coni DIN2080-40, DIN69871-A40, MAS403-BT40

Nota

on the spindle DIN2079 you can use shank DIN2080-40, DIN69871-A40, MAS403-BT40

CONO
SHANK



DIN69871



ANSIB5.50



BT



HSK



CAPTO

ISO26623



KM



DIN2080



ANSIB5.18

SIZE

45

50

50

50

80

100

C8

100

50

50

A

192

192

200

201

196

192

165

165

B

37

37

45

46

41

16

16

H STANDARD

110

110

110

110

110

110

110

110

H OPTIONAL

For DIN69871, ANSIB5.50 and BT, dual contact as option