



TA20.PL

TESTA AD ANGOLO - ANGLE HEAD



PESO WEIGHT

50
19 KG

ROTAZIONE ROTATION

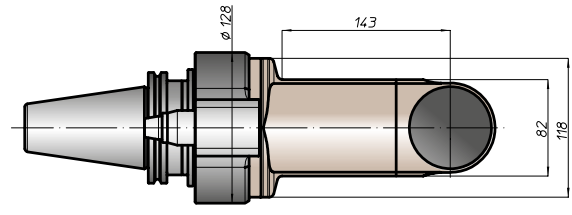
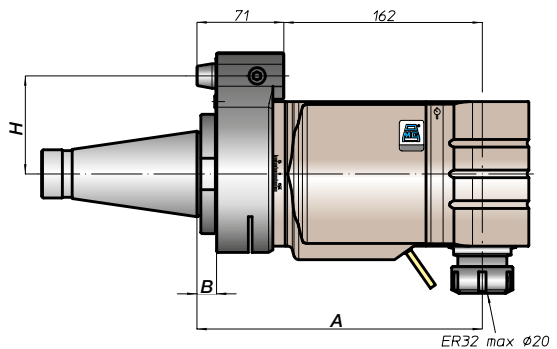
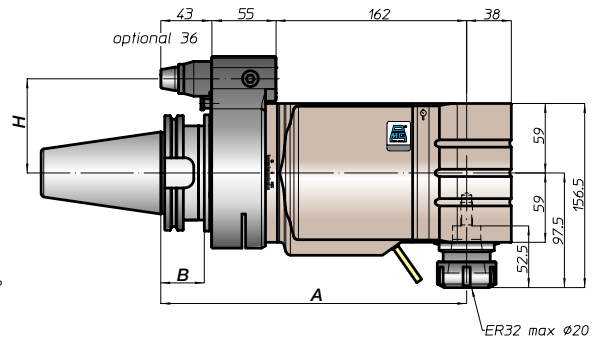
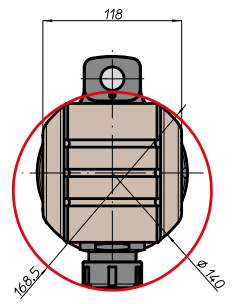
INPUT OUTPUT

CARATTERISTICHE FEATURES

Ø20 M14 1460 N 1-1 3500 90

MANDRINI DISPONIBILI AVAILABLE SPINDLES

ER40
DIN6499-ER
Ø22-Ø27-Ø32
PORTA-FRESE
FACE MILL ARBOR
Ø20-Ø25-Ø32
WELDON
WHISTLE-NOTCH
HSK40
DIN69893-HSK
C4
COROMANT CAPTO®
ABS40
LICENZA KOMET®
KOMET LICENCE®



CONO SHANK

DIN69871 ANSIB5.50 BT HSK CAPTO KM DIN2080 ANSIB5.18

SIZE	45	50	50	50	80	100	C8	80	100	50	50
A	260	260	268	269	264	260	233	233			
B	35	35	45	46	41	16	16				
H STANDARD	80	80	80	80	80	80	80	80			
H OPTIONAL	110	110	110	110	110	110	110	110			

For DIN69871, ANSIB5.50 and BT, dual contact as option