



TA16.PL

TESTA AD ANGOLO - ANGLE HEAD



PESO
WEIGHT

15,5 KG

ROTAZIONE
ROTATION

INPUT OUTPUT

CARATTERISTICHE
FEATURES

Ø16 M12 1040 N 1-1 5000 55

MANDRINI
DISPONIBILI
AVAILABLE
SPINDLES

ER32
DIN6499-ER

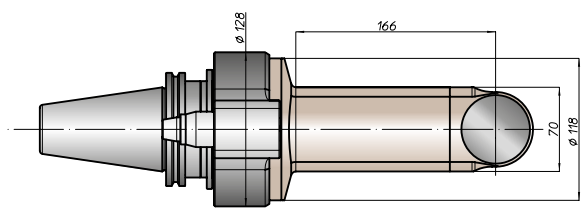
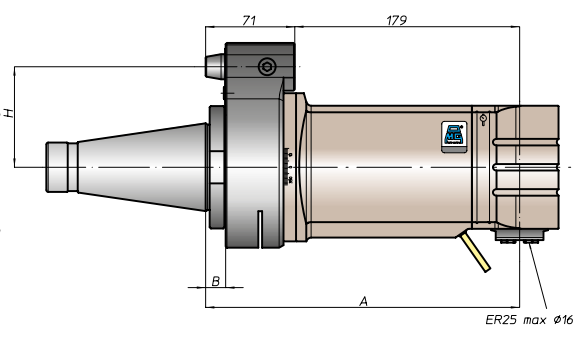
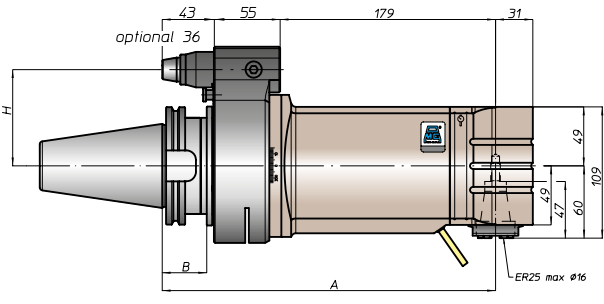
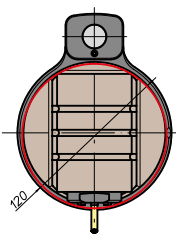
Ø16-Ø22-Ø27-Ø32
PORTAFRESE
FACE MILL ARBOR

Ø20
WELDON
WHISTLE-NOTCH

HSK32
DIN69893-HSK

C3
COROMANT CAPTO®

ABS32
LICENZA KOMET®
KOMET LICENCES®



CONO
SHANK

DIN69871	ANSIB5.50		DIN69893	ISO26623		DIN2080	ANSIB5.18

SIZE	45	50	50	80	100	C6	C8	80	100	50	50
A	277	277	285	286	281	277	250	250			
B	35	35	45	46	39	41	16	16			
H STANDARD	80	80	80	80	80	80	80	80			
H OPTIONAL	110	110	110	110	110	110	110	110			

For DIN69871, ANSIB5.50 and BT, dual contact as option