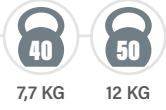
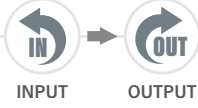


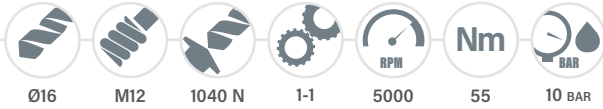
PESO
WEIGHT



ROTAZIONE
ROTATION



CARATTERISTICHE
FEATURES



MANDRINI
DISPONIBILI
AVAILABLE
SPINDLES



TA16.PD

TESTA AD ANGOLO - ANGLE HEAD

FH

BAH

TA.CP

TA

MOX

HT

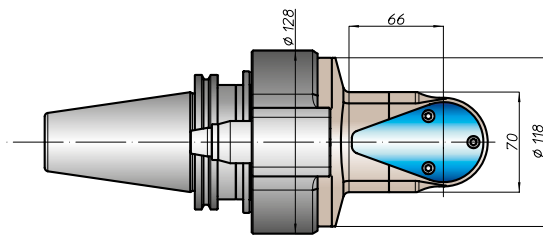
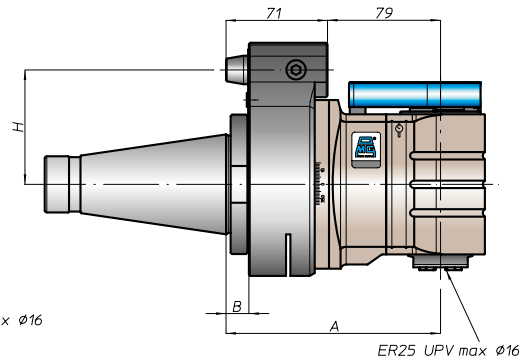
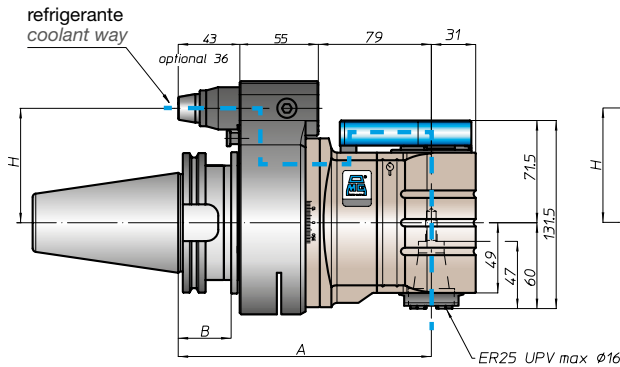
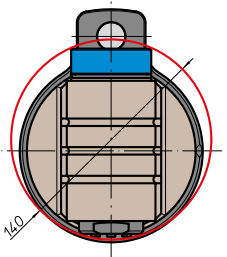
4-60

VH

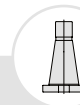
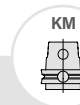
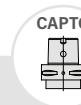
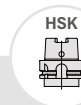
TSI/TSX

T

MT-TC-TC3



CONO
SHANK



SIZE

A

B

H STANDARD

H OPTIONAL

	ANSIB5.50			BT		DIN69893			ISO26623			KM			DIN2080		ANSIB5.18					
	40	45	50	40	50	40	50	63	80	100	C5	C6	C8	63	80	100	40	50	40	50		
A	172	177	177	172	177	172	185	181	186	176	181	172	177	147	150	142	150	142	150	142	150	
B		35		35		35	45	44	46		39	41		13	16	13	16	13	16	13	16	
H STANDARD	65	80		65	80	65	80	65	80		65	80	65	80	65	80	65	80	65	80	65	80
H OPTIONAL		110		110		110		110			110		110		110		110		110		110	

For DIN69871, ANSIB5.50 and BT, dual contact as option

