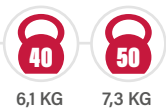
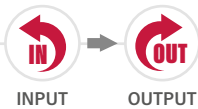


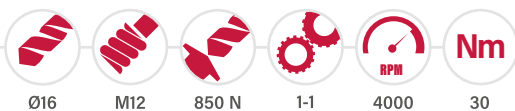
PESO
WEIGHT



ROTAZIONE
ROTATION

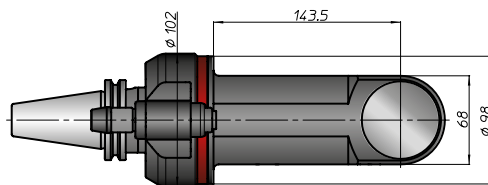
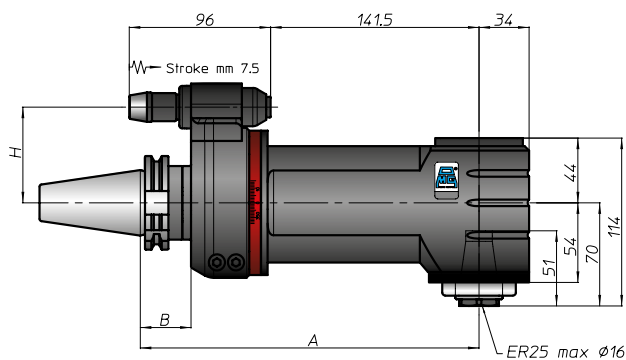
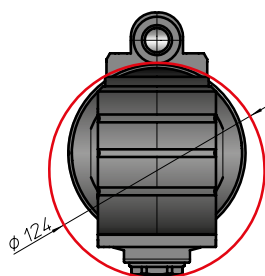


CARATTERISTICHE
FEATURES



TA16.CPL

TESTA AD ANGOLO - ANGLE HEAD



CONO
SHANK

SIZE

A

B

H STANDARD

H OPTIONAL

	ANSIB5.50			BT		DIN69893			ISO26623		DIN2080		ANSIB5.18	
	40	45	50	40	50	40	50	63	80	100				
A	230			230		230	238	239						
B	35			35		35	45	44	46					
H STANDARD	65	80		65	80	65	80	65	80					
H OPTIONAL														

FH

BAH

TA.CP

TA

MOX

HT

3-8

VH

TSI/TSX

T

MT-TC-TC3

