

FH

BAH

TA.CP

TA

MOX

HT

3-7

VH

TSI/TSX

T

MT-TC-TC3



# TA16.CP

TESTA AD ANGOLO - ANGLE HEAD



**40**  
5,2 KG

**50**  
7,4 KG

PESO  
WEIGHT

**IN**  
INPUT

**OUT**  
OUTPUT

ROTAZIONE  
ROTATION

Ø16

M12

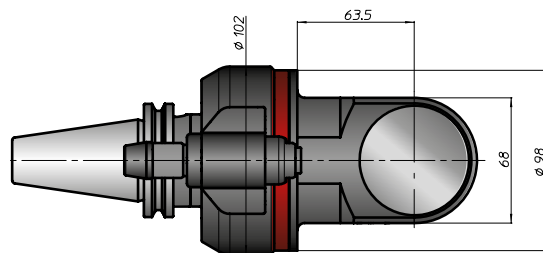
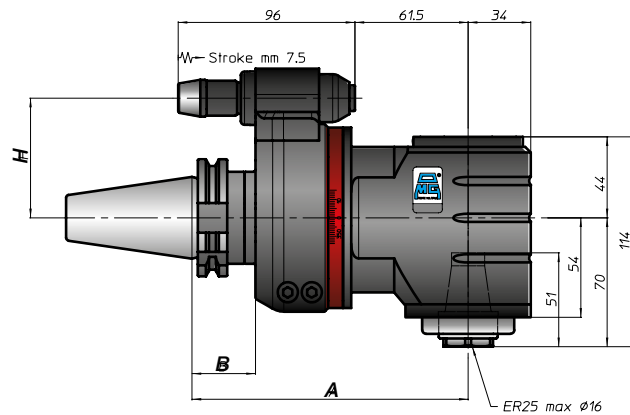
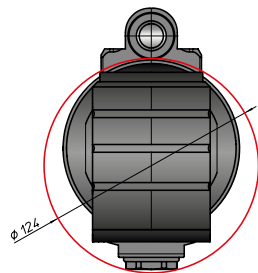
850 N

1-1

4000

30

CARATTERISTICHE  
FEATURES



CONO  
SHANK



**DIN69871**



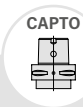
**ANSIB5.50**



**BT**



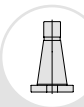
**DIN69893**



**ISO26623**



**KM**



**DIN2080**



**ANSIB5.18**

SIZE

40 45 50 40 50 40 50 63 80 100

A

150 150 150 158 159

B

35 35 35 45 44 46

H STANDARD

65 80 65 80 65 80

H OPTIONAL

