

FH

BAH

TA-CP

TA

MOX

HT

3-5

VH

TSI/TSX

T

MT-TC-TC3



TA13.CP

TESTA AD ANGOLO - ANGLE HEAD



40
4,8 KG

50
7 KG

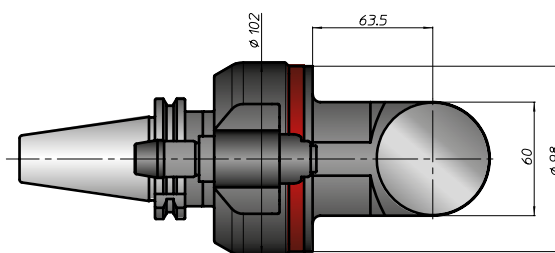
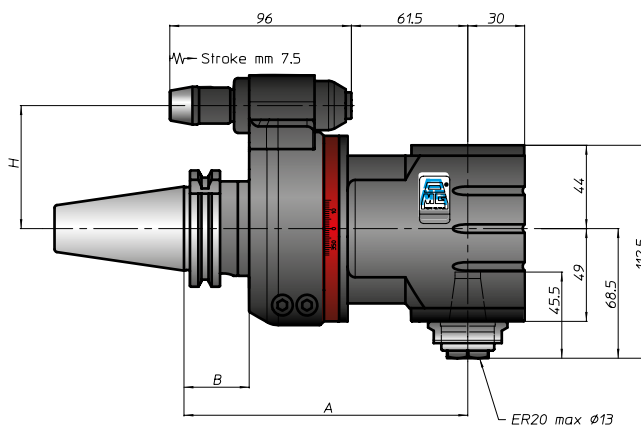
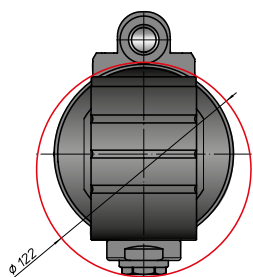
PESO
WEIGHT

IN → **OUT**
INPUT OUTPUT

ROTAZIONE
ROTATION

Ø13 **M10** **560 N** **1-1** **6000** **Nm**
19

CARATTERISTICHE
FEATURES



CONO
SHANK



DIN69871



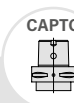
ANSIB5.50



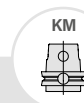
BT



DIN69893



ISO26623



KM



DIN2080



ANSIB5.18

SIZE

30 40 45 50 40 50 40 50 63 80 100

A

150 150 150 158 159

B

35 35 35 45 44 46

H STANDARD

65 80 65 80 65 80 65 80

H OPTIONAL